



昀虹

慈溪市昀虹电子科技有限公司

CIXI YUNHONG ELECTRON SCIENCE CO.,LTD.



慈溪市昀虹电子科技有限公司

CIXI YUNHONG ELECTRON SCIENCE CO.,LTD.

地址：浙江省慈溪市逍林镇北工业区横二路179号

邮编：315321

电话：0574-63502988 63505689 63863108

传真：0574-63502299 63515108

手机：13606743316 18058283316

网址：www.nbyunhong.com

邮箱：yunhong@nbyunhong.com



2019版

COMPANY

INTRODUCTION

企业简介

慈溪市昀虹电子科技有限公司坐落在东海之滨，世界上最长的跨海大桥杭州湾跨海大桥南岸，地处沪、杭、甬经济金三角的中心地带。地理环境优美，交通便捷。本公司是一家集设计、研发、销售为一体的综合性公司，公司主要生产圆形连接器、汽车连接器、精密插针插孔和各类五金件等。

多年来，昀虹电子秉持“团队、创新、诚信、服务至上”之经营理念；在国内、国外市场是迅速发展，并以优质的产品、卓越的服务和全面的设备连接解决方案赢得广大客户的赞誉，昀虹电子将会继续研发高性能的连接技术及提升服务素质，以满足客户的要求。

企业形成自主设计、开发、生产、销售及售后服务一条龙体质。从抓管理、抓技改、抓新品、抓形象、抓企业文化入手，秉持“顾客至上，锐意进取”的精神，坚持“客户第一”的原则为国内外客户提供优质的服务

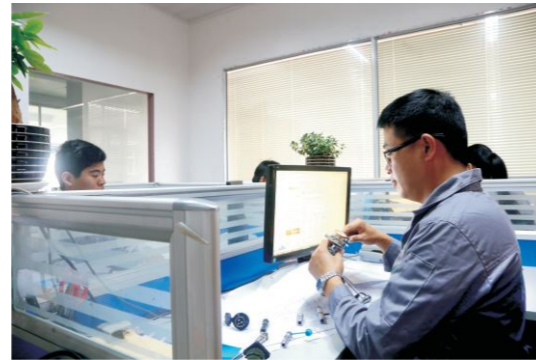
Cixi Yunhong Electron Science Co., Ltd. is located on the coast of East China Sea and at the south of Hangzhou Bay Bridge. This place is the economical center of Yangtze River Delta. The geographical position is superior and the transportation is convenient. Our company is a manufacture integrating R&D, sales and production of circular connector, vehicle connector, pin and pin socket as well as other kinds of hardware.

Over the years, Yunhong Electron Science upholds the idea 'team, innovation and service first'. The high quality product, excellent sever and complete equipment make our company develop rapidly both in domestic and oversea market, and earn reputation from customers. We will continue to develop high-performance connector and improve service to meet customers' demand.

Our company has formed integrated system of independent design, development, production, sales and after-sales. We will provide our best service to every customers by improving management, innovating technique, creating corporate image and culture, and adhering to the principle of "customer first, forge ahead".



研发、生产、检测
Research、Production、Inspection



公司经营理念
corporation operating principle

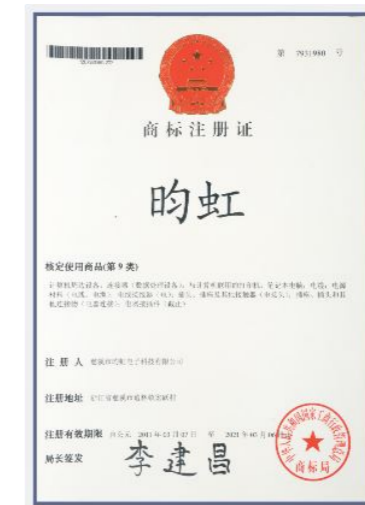
团队、创新、诚信、服务至上
Team、innovation、trust、good service

- 企业形成自主设计、开发、生产、销售及售后服务一条龙体质。
marco system of independent design, development, production, sales and after-sales.
- 从抓管理、抓技改、抓新品、抓形象、抓企业文化入手
improving management, technical renovation, corporate image
- 秉持“顾客至上，锐意进取”的精神
adhering to the principle of “put customer in the first place, forge ahead”.
- 坚持“客户第一”的原则为国内外客户提供优质的服务
provide good service to each cutomer



昀虹电子

CORPORATE >>> HONOR 企业荣誉



目录

CONTENTS

◎ 第一章 The first chapter	09	◎ 第六章 The sixth chapter	41-47
型号编写说明 Part numbering system		SF系列 SF series	
◎ 第二章 The second chapter	10-23	SF10 IP67推拉钢珠锁扣式 Push pull coupling	
YC系列 YC series		SF12 IP68推拉钢珠锁扣式 Push pull coupling	
YC6 IP65推拉钢珠锁扣式 Push pull coupling		◎ 第七章 The seventh chapter	48-61
YC7 IP65推拉钢珠锁扣式 Push pull coupling		GXL系列 GX series	
YC8 IP65推拉钢珠锁扣式 Push pull coupling		GX12M(RS765) IP65尾部压线螺纹连接式 Threaded coupling	
YC9 IP65推拉钢珠锁扣式 Push pull coupling		GX16M IP65尾部压线螺纹连接式 Threaded coupling	
YC12 IP65推拉钢珠锁扣式 Push pull coupling		GX19M IP65尾部压线螺纹连接式 Threaded coupling	
◎ 第三章 The third chapter	24-33	GX25M IP65尾部压线螺纹连接式 Threaded coupling	
XS系列 XS series		GX30M IP65尾部压线螺纹连接式 Threaded coupling	
XS8 IP65尾部压线推拉钢珠锁扣式 Push pull coupling		◎ 第八章 The eighth chapter	62-63
XS9 IP65尾部压线推拉钢珠锁扣式 Push pull coupling		SM系列 SM series	
XS10 IP65尾部压线推拉钢珠锁扣式 Push pull coupling		DDK IP67自动卡槽连接式 Slot self-latching coupling	
XS12 IP65尾部压线推拉钢珠锁扣式 Push pull coupling		◎ 第九章 The ninth chapter	64-76
◎ 第四章 The fourth chapter	34-36	B系列 B series	
X系列 X series		◎ 第十章 The ten chapter	77-80
X12 IP65尾部压线螺纹连接式 Threaded coupling		Ms系列 MS series	
◎ 第五章 The fifth chapter	37-40		
G系列 G series			
12G IP67尾部压线螺纹连接式 Threaded coupling			
16G IP67尾部压线螺纹连接式 Threaded coupling			

步步为赢
STEP BY STEP TO WIN

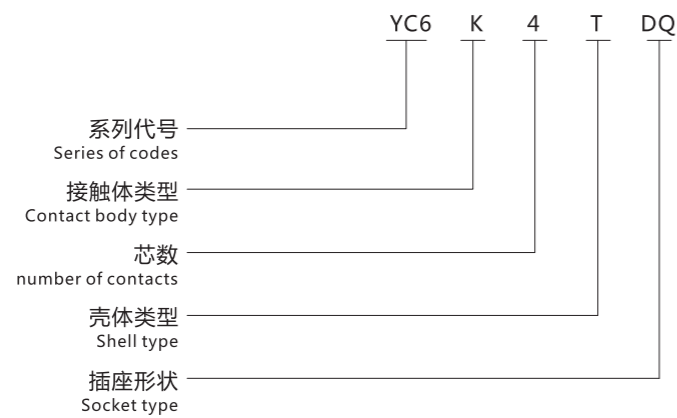
第一章 The first chapter

型号编写说明 Part numbering system

1 : 快速读取产品信息
Get the product information quickly

2 : 如何选购产品
How to choose and buy products

例 Case



系列代号 : YC、SF、XS、XS-L、GX、G、SM

接触体类型 : The contact body type

J-插针 J-PIN K-插孔 K-receptacle

芯数 : 2、3、4、5、6...
Number of contact

壳体类型——插头 : Shell type__Plug

T : 直式母插头
Straight female plug

TA : 对接公插头
Male cable plug

TD : 90°母插头
Female plug with right angle

TH : 直式护线母插头
Straight cable protected female plug

TD : 直式短母插头
Straight short female plug

TM : 直式螺纹母插头
Straight threaded female plug

TC : 直式车针孔母插头
Straight lathe receptacle female plug

TF : 直式母插头
Straight male plug

TAF : 对接式母插头
Female cable socket

TDF : 90°公插头
Male plug with right angle

TH : 直式护线母插头
Straight cable protected male plug

TD : 直式短母插头
Straight short male plug

TM : 直式螺纹母插头
Straight threaded male plug

TC : 直式车针孔母插头
Straight lathe pin hole male plug

插座形状 : Socket shape

DQ : 单切面
Single section

Q : 双切面
Double section

P : 多边形法兰
Polygon flange

U : 四边形法兰
Square flange

R : 二眼法兰
2-hole flange

C : 三眼法兰
3-hole flange

PCB : 插拔式
Board

M : 螺纹式
Threaded

CH : 车针孔
Lathe pin hole

插座 : Sockets

ZJ : 板前安装公插座
Install before board male socket

Zk : 板前安装母插座
Install before board female socket

ZHJ : 板后安装公插座
Install behind board male socket

ZHK : 板后安装母插座
Install behind board female socket

第二章 The second Chapter

YC系列 YC series

产品展示 : Product Display



材料和技术参数 : Material and spec

接插方式 Coupling	推入式快速锁紧 Push-Pull	接线方式 Termination	焊接 Solder
外壳材料 The shell material	铜合金 Copper alloy	插接次数 Mating cycle	500次 500 cycles
绝缘体 Insulator material	耐高温PPS Heat-resistant PPS	适应温度范围 Temperature range	-30°C~100°C
接触体材料 Contact material	铜合金/镀金 Brass with gold plating	防护等级 IP protection class	IP65


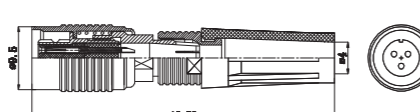

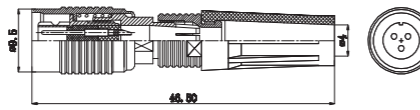

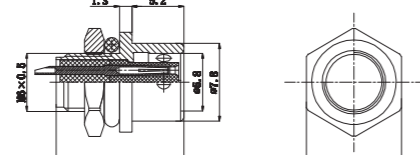

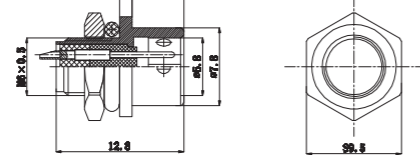

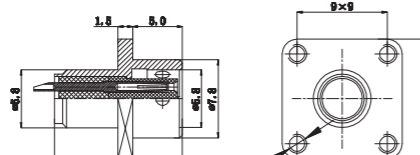
YC6

产品展示图
Product Display

产品外形尺寸示意图
Dimensions

产品芯数
Number of contact

本公司型号
Model

 YC6 : 直式母插头 (镀铬-镀黑-镀金) YC6 : Straight female plug (Chrome plated- black chrome plated- gold plated)	外壳材质: 铜合金 Shell Material: Copper alloy 	2	YC6-(2)T
		3	YC6-(3)T
		4	YC6-(4)T
		5	YC6-(5)T
		5	YC6-(5)T
 YC6 : 直式公插头 (镀铬-镀黑-镀金) YC6 : Straight male plug (Chrome plated- black chrome plated- gold plated)	外壳材质: 铜合金 Shell Material: Copper alloy 	2	YC6-(2)TF
		3	YC6-(3)TF
		4	YC6-(4)TF
		5	YC6-(5)TF
		5	YC6-(5)TF
 YC6 : 板前安装母插座 (镀铬-镀黑-镀金) YC6 : Installation from front of panel female socket (Chrome plated- black chrome plated- gold plated)	外壳材质: 铜合金 Shell Material: Copper alloy 	2	YC6-(2)ZK
		3	YC6-(3)ZK
		4	YC6-(4)ZK
		5	YC6-(5)ZK
		5	YC6-(5)ZK
 YC6 : 板前安装公插座 (镀铬-镀黑-镀金) YC6 : Installation from front of panel male socket (Chrome plated- black chrome plated- gold plated)	外壳材质: 铜合金 Shell Material: Copper alloy 	2	YC6-(2)ZJ
		3	YC6-(3)ZJ
		4	YC6-(4)ZJ
		5	YC6-(5)ZJ
		5	YC6-(5)ZJ
 YC6 : 板前安装四方法兰母插座 (镀铬-镀黑-镀金) YC6 : Installation from front of panel square flange socket (Chrome plated- black chrome plated- gold plated)	外壳材质: 铜合金 Shell Material: Copper alloy 	2	YC6-(2)ZKU
		3	YC6-(3)ZKU
		4	YC6-(4)ZKU
		5	YC6-(5)ZKU
		5	YC6-(5)ZKU


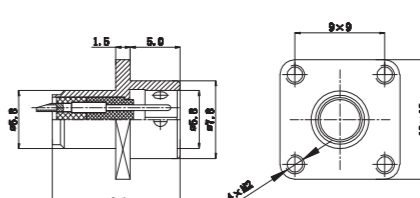

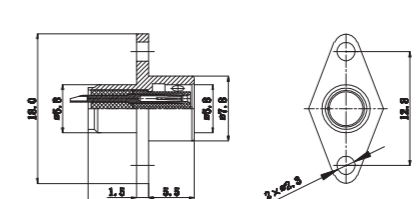

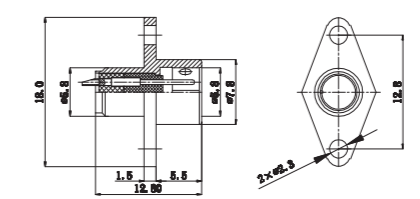

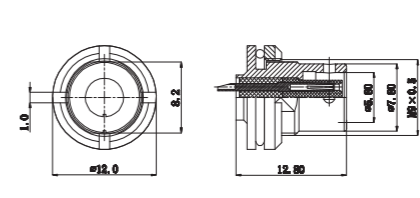

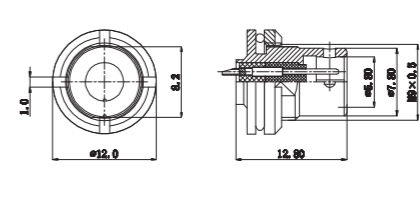
YC6

产品展示图
Product Display

产品外形尺寸示意图
Dimensions

产品芯数
Number of contact

本公司型号
Model

 YC6 : 板前安装四方法兰公插座 (镀铬-镀黑-镀金) YC6 : Installation from front of panel square flange male socket (Chrome plated- black chrome plated- gold plated)	外壳材质: 铜合金 Shell Material: Copper alloy 	2	YC6-(2)ZJU
		3	YC6-(3)ZJU
		4	YC6-(4)ZJU
		5	YC6-(5)ZJU
		5	YC6-(5)ZJU
 YC6 : 板前安装两眼法兰母插座 (镀铬-镀黑-镀金) YC6 : Installation from front of panel square flange female socket (Chrome plated- black chrome plated- gold plated)	外壳材质: 铜合金 Shell Material: Copper alloy 	2	YC6-(2)ZKR
		3	YC6-(3)ZKR
		4	YC6-(4)ZKR
		5	YC6-(5)ZKR
		5	YC6-(5)ZKR
 YC6 : 板前安装两眼法兰公插座 (镀铬-镀黑-镀金) YC6 : Installation from front of panel square flange female socket (Chrome plated- black chrome plated- gold plated)	外壳材质: 铜合金 Shell Material: Copper alloy 	2	YC6-(2)ZJR
		3	YC6-(3)ZJR
		4	YC6-(4)ZJR
		5	YC6-(5)ZJR
		5	YC6-(5)ZJR
 YC6 : 板后安装双切面母插座 (镀铬-镀黑-镀金) YC6 : Installation from rear of panel double section female socket (Chrome plated- black chrome plated- gold plated)	外壳材质: 铜合金 Shell Material: Copper alloy 	2	YC6-(2)ZHK
		3	YC6-(3)ZHK
		4	YC6-(4)ZHK
		5	YC6-(5)ZHK
		5	YC6-(5)ZHK
 YC6 : 板后安装双切面公插座 (镀铬-镀黑-镀金) YC6 : Installation from rear of panel double section male socket (Chrome plated- black chrome plated- gold plated)	外壳材质: 铜合金 Shell Material: Copper alloy 	2	YC6-(2)ZHJ
		3	YC6-(3)ZHJ
		4	YC6-(4)ZHJ
		5	YC6-(5)ZHJ
		5	YC6-(5)ZHJ


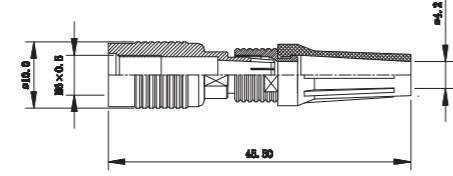
YC6

产品展示图
Product Display

产品外形尺寸示意图
Dimensions

产品芯数
Number of contact

本公司型号
Model

 <p>YC6 : 对接后罩 (镀铬-镀黑-镀金) YC6 : Cable plug with back shell</p>	<p>外壳材质: 铜合金 Shell Material: Copper alloy</p> 		<p>YC6-JK-ZD</p>
---	--	--	------------------


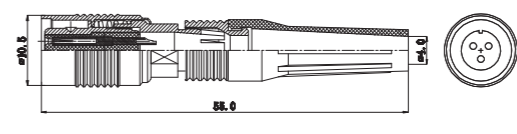

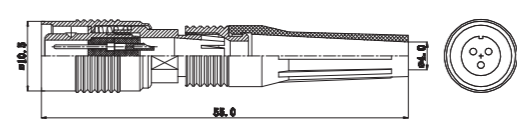

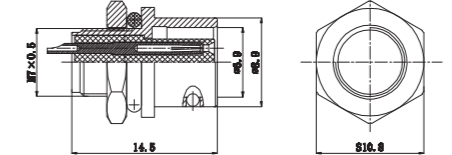

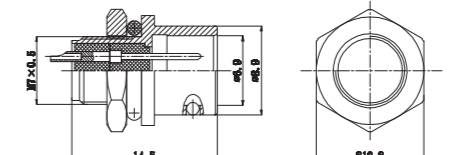

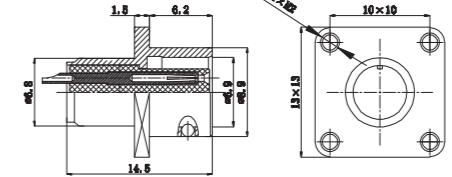
YC7

产品展示图
Product Display

产品外形尺寸示意图
Dimensions


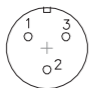

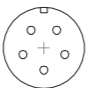
产品芯数
Number of contact

本公司型号
Model

 <p>YC7 : 直式母插头 (镀铬-镀黑-镀金) YC7 : Straight female plug (Chrome plated- black chrome plated- gold plated)</p>	<p>外壳材质: 铜合金 Shell Material: Copper alloy</p> 	<p>2</p>	<p>YC7-(2)T</p>
		3	YC7-(3)T
		4	YC7-(4)T
		5	YC7-(5)T
 <p>YC7 : 直式公插头 (镀铬-镀黑-镀金) YC7 : Straight male plug (Chrome plated- black chrome plated- gold plated)</p>	<p>外壳材质: 铜合金 Shell Material: Copper alloy</p> 	2	YC7-(2)TF
		3	YC7-(3)TF
		4	YC7-(4)TF
		5	YC7-(5)TF
 <p>YC7 : 板前安装母插座 (镀铬-镀黑-镀金) YC7 : Installation from front of panel female socket (Chrome plated- black chrome plated- gold plated)</p>	<p>外壳材质: 铜合金 Shell Material: Copper alloy</p> 	2	YC7-(2)ZK
		3	YC7-(3)ZK
		4	YC7-(4)ZK
		5	YC7-(5)ZK
 <p>YC7 : 板前安装公插座 (镀铬-镀黑-镀金) YC7 : Installation from front of panel male socket (Chrome plated- black chrome plated- gold plated)</p>	<p>外壳材质: 铜合金 Shell Material: Copper alloy</p> 	2	YC7-(2)ZJ
		3	YC7-(3)ZJ
		4	YC7-(4)ZJ
		5	YC7-(5)ZJ
 <p>YC7 : 板前安装四方法兰母插座 (镀铬-镀黑-镀金) YC7 : Installation from front of panel square flange socket (Chrome plated- black chrome plated- gold plated)</p>	<p>外壳材质: 铜合金 Shell Material: Copper alloy</p> 	2	YC7-(2)ZKU
		3	YC7-(3)ZKU
		4	YC7-(4)ZKU
		5	YC7-(5)ZKU

芯数总览及参数特性表

Contact arrangement and specification

芯数 Number of contact	2	3	4	5				
插座焊接面示意图 Insert arrangement (座装针)								
接触件直径 Contact diameter	φ0.6	φ0.6	φ0.6	φ0.6				
额定电流A Rated current(A)	2.5	2.5	2.5	2.5				
工作电压 (AC,V) Rated voltage(AC,V)	110	110	110	110				
耐压 (AC,V) 1min Test voltage(AC,V)1min	500	500	500	500				
接触电阻 (mΩ) Contact resistance	22	22	22	22				
绝缘阻抗 (mΩ) Insulation resistance	2000	2000	2000	2000				
接线孔口径 Diameter	φ0.6	φ0.6	φ0.6	φ0.6				


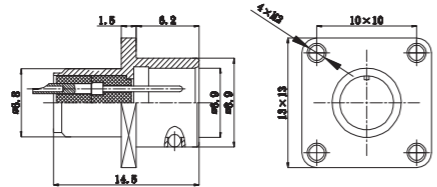

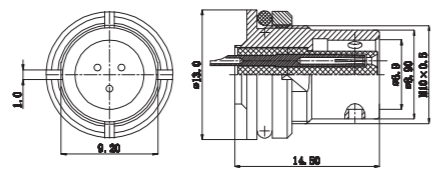

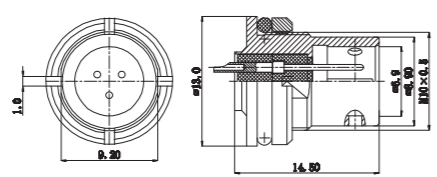

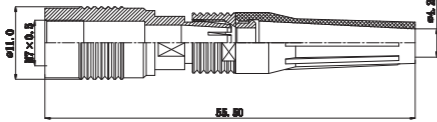
YC7

产品展示图
Product Display

产品外形尺寸示意图
Dimensions

产品芯数
Number of contact


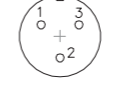
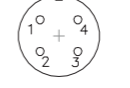

本公司型号
Model

 <p>YC7: 板前安装四方法兰公插座 (镀铬-镀黑-镀金) YC7: Installation from front of panel square flange male socket (Chrome plated- black chrome plated- gold plated)</p>	<p>外壳材质: 铜合金 Shell Material: Copper alloy</p> 	2	YC7-(2)ZJU
 <p>YC7: 板后安装双切面母插座 (镀铬-镀黑-镀金) YC7: Installation from rear of panel double section female socket (Chrome plated- black chrome plated- gold plated)</p>	<p>外壳材质: 铜合金 Shell Material: Copper alloy</p> 	2	YC7-(2)ZHK
 <p>YC7: 板后安装双切面公插座 (镀铬-镀黑-镀金) YC7: Installation from rear of panel double section male socket (Chrome plated- black chrome plated- gold plated)</p>	<p>外壳材质: 铜合金 Shell Material: Copper alloy</p> 	2	YC7-(2)ZHJ
 <p>YC7: 对接后罩 (镀铬-镀黑-镀金) YC7: Cable plug with back shell (Chrome plated- black chrome plated- gold plated)</p>	<p>外壳材质: 铜合金 Shell Material: Copper alloy</p> 		YC7-JK-ZD

YC7

芯数总览及参数特性表

Contact arrangement and specification

芯数 Number of contact	2	3	4	5				
插座焊接面示意图 Insert arrangement (座装针)								
接触件直径 Contact diameter	φ0.6	φ0.6	φ0.6	φ0.6				
额定电流A Rated current(A)	2.5	2.5	2.5	2.5				
工作电压 (AC,V) Rated voltage(AC,V)	110	110	110	110				
耐压 (AC,V) 1min Test voltage(AC,V)1min	500	500	500	500				
接触电阻 (mΩ) Contact resistance	22	22	22	22				
绝缘阻抗 (mΩ) Insulation resistance	2000	2000	2000	2000				
接线孔口径 Diameter	φ0.6	φ0.6	φ0.6	φ0.6				


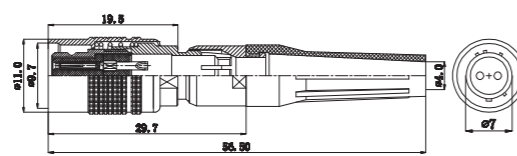

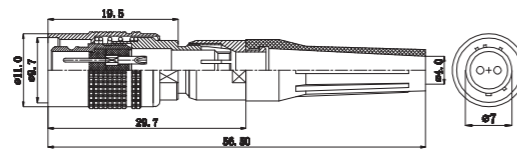

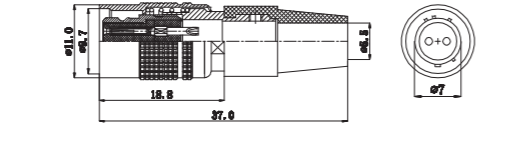

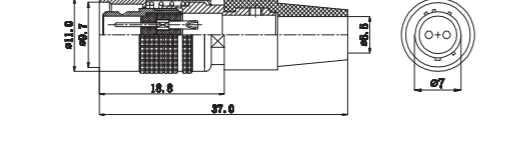

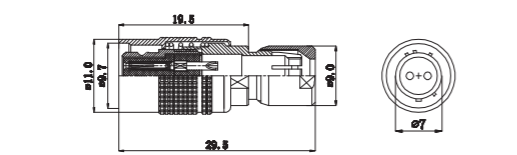
YC8

产品展示图
Product Display

产品外形尺寸示意图
Dimensions

产品芯数
Number of contact

本公司型号
Model

 YC8 : 直式母插头 (镀铬-镀黑-镀金) YC8 : Straight female plug (Chrome plated- black chrome plated- gold plated)	 外壳材质: 铜合金 Shell Material: Copper alloy	2	YC8-(2)T
		3	YC8-(3)T
		4	YC8-(4)T
		5	YC8-(5)T
		6	YC8-(6)T
		7	YC8-(7)T
		 YC8 : 直式公插头 (镀铬-镀黑-镀金) YC8 : Straight male plug (Chrome plated- black chrome plated- gold plated)	 外壳材质: 铜合金 Shell Material: Copper alloy
3	YC8-(3)TF		
4	YC8-(4)TF		
5	YC8-(5)TF		
6	YC8-(6)TF		
7	YC8-(7)TF		
 YC8 : 直式护线母插头 (镀铬-镀黑-镀金) YC8 : Cable protected straight female plug (Chrome plated- black chrome plated- gold plated)	 外壳材质: 铜合金 Shell Material: Copper alloy		
		3	YC8-(3)TH
		4	YC8-(4)TH
		5	YC8-(5)TH
		6	YC8-(6)TH
		7	YC8-(7)TH
		 YC8 : 直式护线公插头 (镀铬-镀黑-镀金) YC8 : Cable protected straight female plug (Chrome plated- black chrome plated- gold plated)	 外壳材质: 铜合金 Shell Material: Copper alloy
3	YC8-(3)TFH		
4	YC8-(4)TFH		
5	YC8-(5)TFH		
6	YC8-(6)TFH		
7	YC8-(7)TFH		
 YC8 : 直式短母插头 (镀铬-镀黑-镀金) YC8 : Short straight female plug (Chrome plated- black chrome plated- gold plated)	 外壳材质: 铜合金 Shell Material: Copper alloy		
		3	YC8-(3)TD
		4	YC8-(4)TD
		5	YC8-(5)TD
		6	YC8-(6)TD
		7	YC8-(7)TD


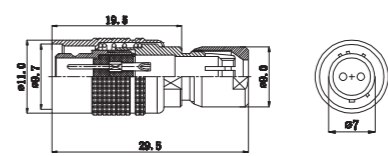

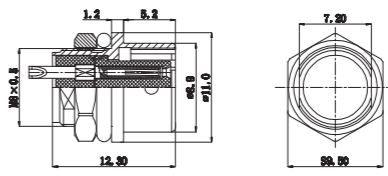

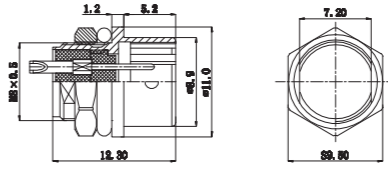

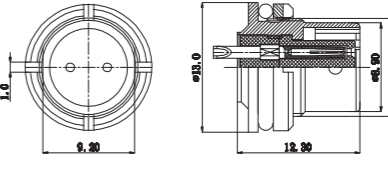

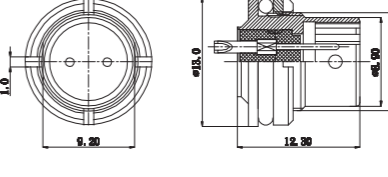
YC8

产品展示图
Product Display

产品外形尺寸示意图
Dimensions

产品芯数
Number of contact

本公司型号
Model

 YC8 : 直式短母插头 (镀铬-镀黑-镀金) YC8 : Short straight femal plud (Chrome plated- black chrome plated- gold plated)	 外壳材质: 铜合金 Shell Material: Copper alloy	2	YC8-(2)TFD
		3	YC8-(3)TFD
		4	YC8-(4)TFD
		5	YC8-(5)TFD
		6	YC8-(6)TFD
		7	YC8-(7)TFD
		 YC8 : 板前安装母插座 (镀铬-镀黑-镀金) YC8 : Installation from front of panle female socket (Chrome plated- black chrome plated- gold plated)	 外壳材质: 铜合金 Shell Material: Copper alloy
3	YC8-(3)ZX		
4	YC8-(4)ZX		
5	YC8-(5)ZX		
6	YC8-(6)ZX		
7	YC8-(7)ZX		
 YC8 : 板前安装公插座 (镀铬-镀黑-镀金) YC8 : Installation from front of panle male socket (Chrome plated- black chrome plated- gold plated)	 外壳材质: 铜合金 Shell Material: Copper alloy		
		3	YC8-(3)ZJ
		4	YC8-(4)ZJ
		5	YC8-(5)ZJ
		6	YC8-(6)ZJ
		7	YC8-(7)ZJ
		 YC8 : 板后安装双切面母插座 (镀铬-镀黑-镀金) YC8 : Installation from rear of panel double section female socket (Chrome plated- black chrome plated- gold plated)	 外壳材质: 铜合金 Shell Material: Copper alloy
3	YC8-(3)ZHK		
4	YC8-(4)ZHK		
5	YC8-(5)ZHK		
6	YC8-(6)ZHK		
7	YC8-(7)ZHK		
 YC8 : 板后安装双切面公插座 (镀铬-镀黑-镀金) YC8 : Installation from rear of panel double section male socket (Chrome plated- black chrome plated- gold plated)	 外壳材质: 铜合金 Shell Material: Copper alloy		
		3	YC8-(3)ZHJ
		4	YC8-(4)ZHJ
		5	YC8-(5)ZHJ
		6	YC8-(6)ZHJ
		7	YC8-(7)ZHJ


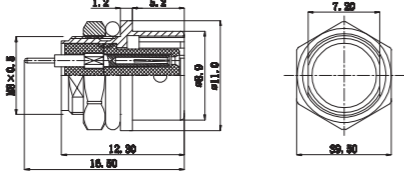

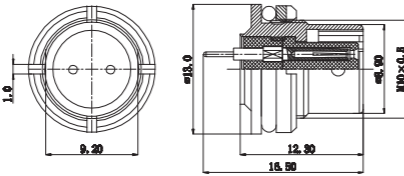

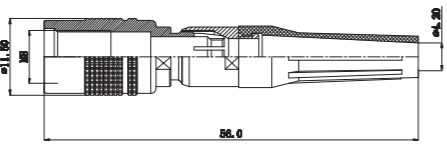

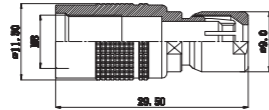
YC8

产品展示图
Product Display

产品外形尺寸示意图
Dimensions


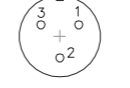

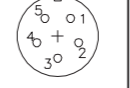


产品芯数
Number of contact

本公司型号
Model

 <p>YC8 : 板前安装双切面PCB母插座 (镀铬-镀黑-镀金) YC8 : Installation from front of panel double section PCB female socket (Chrome plated- black chrome plated- gold plated)</p>	<p>外壳材质: 铜合金 Shell Material: Copper alloy</p> 	<p>2 3 4 5 6 7</p>	<p>YC8-(2)ZHK/PCB YC8-(3)ZHK/PCB YC8-(4)ZHK/PCB YC8-(5)ZHK/PCB YC8-(6)ZHK/PCB YC8-(7)ZHK/PCB</p>
 <p>YC8 : 板后安装双切面PCB母插座 (镀铬-镀黑-镀金) YC8 : Installation from back of panel double section PCB female socket (Chrome plated- black chrome plated- gold plated)</p>	<p>外壳材质: 铜合金 Shell Material: Copper alloy</p> 	<p>2 3 4 5 6 7</p>	<p>YC8-(2)ZHJ/PCB YC8-(3)ZHJ/PCB YC8-(4)ZHJ/PCB YC8-(5)ZHJ/PCB YC8-(6)ZHJ/PCB YC8-(7)ZHJ/PCB</p>
 <p>YC8 : 对接后罩 (镀铬-镀黑-镀金) YC8 : Cable plug with back shell</p>	<p>外壳材质: 铜合金 Shell Material: Copper alloy</p> 		<p>YC8-JK-ZD</p>
 <p>YC8 : 对接平头后罩 (镀铬-镀黑-镀金) YC8 : Cable plug with flat ended back shell (Chrome plated- black chrome plated- gold plated)</p>	<p>外壳材质: 铜合金 Shell Material: Copper alloy</p> 		<p>YC8-JK-ZDB</p>

YC8

芯数总览及参数特性表
Contact arrangement and specification

芯数 Number of contact	2	3	4	5	6	7		
插座焊接面示意图 Insert arrangement (座装孔)								
接触件直径 Contact diameter	φ0.6	φ0.6	φ0.6	φ0.6	φ0.6	φ0.6		
额定电流A Rated current(A)	2.5	2.5	2.5	2.5	2.5	2.5		
工作电压 (AC,V) Rated voltage(AC,V)	110	110	110	110	110	110		
耐压 (AC,V) 1min Test voltage(AC,V)1min	500	500	500	500	500	500		
接触电阻 (mΩ) Contact resistance	22	22	22	22	22	22		
绝缘阻抗 (mΩ) Insulation resistance	2000	2000	2000	2000	2000	2000		
接线孔口径 Diameter	φ0.6	φ0.6	φ0.6	φ0.6	φ0.6	φ0.6		


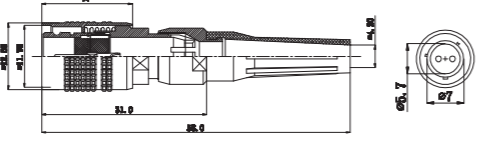

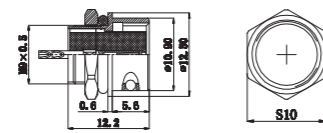
YC9

产品展示图
Product Display

产品外形尺寸示意图
Dimensions

产品芯数
Number of contact

本公司型号
Model

 YC9: 直式公插头 (镀铬-镀黑-镀金) YC9: Straight male plug (Chrome plated- black chrome plated- gold plated)	外壳材质: 铜合金 Shell Material: Copper alloy 	8	YC9-(8)TF
		9	YC9-(9)TF
 YC9: 板前安装母插座 (镀铬-镀黑-镀金) YC9: Installation from front of panel female socket (Chrome plated- black chrome plated- gold plated)	外壳材质: 铜合金 Shell Material: Copper alloy 	8	YC9-(8)ZK
		9	YC9-(9)ZK


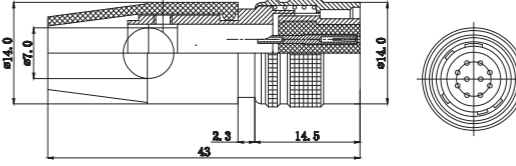

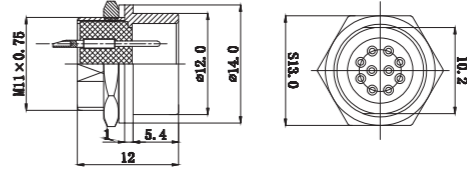
YC12

产品展示图
Product Display

产品外形尺寸示意图
Dimensions



产品芯数
Number of contact

本公司型号
Model

 YC12: 直式母插头 (镀铬-镀黑-镀金) YC12: Straight female plug (Chrome plated- black chrome plated- gold plated)	外壳材质: 铜合金 Shell Material: Copper alloy 	10	YC12-(10)T
		12	YC12-(12)T
 YC12: 板前安装公插座 (镀铬-镀黑-镀金) YC12: Installation from front of panel male socket (Chrome plated- black chrome plated- gold plated)	外壳材质: 铜合金 Shell Material: Copper alloy 	10	YC12-(10)ZJ
		12	YC12-(12)ZJ



芯数总览及参数特性表

Contact arrangement and specification

芯数 Number of contact	8	9					
插座焊接面示意图 Insert arrangement (座装针)							
接触件直径 Contact diameter	φ0.6	φ0.6					
额定电流A Rated current(A)	2.5	2.5					
工作电压 (AC,V) Rated voltage(AC,V)	110	110					
耐压 (AC,V) 1min Test voltage(AC,V)1min	500	500					
接触电阻 (mΩ) Contact resistance	22	22					
绝缘阻抗 (mΩ) Insulation resistance	2000	2000					
接线孔口径 Diameter	φ0.6	φ0.6					

芯数总览及参数特性表

Contact arrangement and specification

芯数 Number of contact	10	12					
插座焊接面示意图 Insert arrangement (座装针)							
接触件直径 Contact diameter	φ0.6	φ0.6					
额定电流A Rated current(A)	2.5	2.5					
工作电压 (AC,V) Rated voltage(AC,V)	110	110					
耐压 (AC,V) 1min Test voltage(AC,V)1min	500	500					
接触电阻 (mΩ) Contact resistance	22	22					
绝缘阻抗 (mΩ) Insulation resistance	2000	2000					
接线孔口径 Diameter	φ0.6	φ0.6					

YC12

产品展示图
Product Display

产品外形尺寸示意图
Dimensions

产品芯数
Number of contact

本公司型号
Model

<p>YC12: 直式母插头 (镀铬-镀黑-镀金) YC12: Straight female plug (Chrome plated- black chrome plated- gold plated)</p>	<p>外壳材质: 铜合金 Shell Material: Copper alloy</p>	10	YC12-(10)T
		12	YC12-(12)T
<p>YC12: 插板式安装公插座 (镀铬-镀黑-镀金) YC12: Board-mounted male socket (chrome-plated black-gold plated)</p>	<p>外壳材质: 铜合金 Shell Material: Copper alloy</p>	10	YC12-(10)ZJ
		12	YC12-(12)ZJ

芯数总览及参数特性表

Contact arrangement and specification

芯数 Number of contact	10	12						
插座焊接面示意图 Insert arrangement (座装针)								
接触件直径 Contact diameter	φ0.6	φ0.6						
额定电流A Rated current(A)	2.5	2.5						
工作电压 (AC,V) Rated voltage(AC,V)	110	110						
耐压 (AC,V) 1min Test voltage(AC,V)1min	500	500						
接触电阻 (mΩ) Contact resistance	22	22						
绝缘阻抗 (mΩ) Insulation resistance	2000	2000						
接线孔口径 Diameter	φ0.6	φ0.6						

第三章 The third chapter

XS系列 XS series

产品展示 : Product Display



材料和技术参数 : Material and spec

接插方式 Coupling	推入式快速锁紧 Push-Pull	接线方式 Termination	焊接 Solder
外壳材料 The shell material	铜合金 Copper alloy	插接次数 Mating cycle	500次 500 cycles
绝缘体 Insulator material	耐高温PPS Heat-resistant PPS	适应温度范围 Temperature range	-30°C~100°C
接触体材料 Contact material	铜合金/镀金 Brass with gold plating	防护等级 IP protection class	IP65


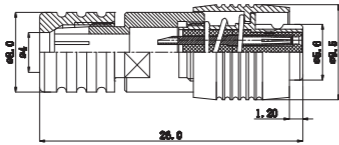

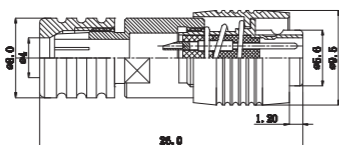

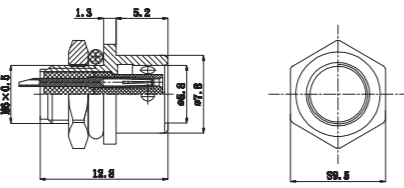

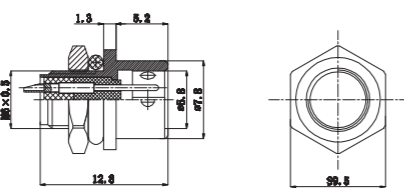

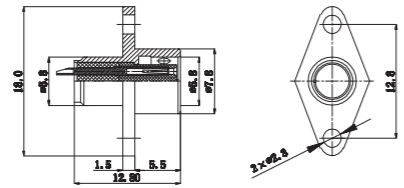
XS6

产品展示图
Product Display

产品外形尺寸示意图
Dimensions

产品芯数
Number of contact

本公司型号
Model

 XS6 : 直式母插头 (镀铬-镀黑-镀金) XS6 : Straight female plug (Chrome plated- black chrome plated- gold plated)	外壳材质: 铜合金 Shell Material: Copper alloy 	2	XS6-(2)T
		3	XS6-(3)T
		4	XS6-(4)T
		5	XS6-(5)T
 XS6 : 直式公插头 (镀铬-镀黑-镀金) XS6 : Straight male plug (Chrome plated- black chrome plated- gold plated)	外壳材质: 铜合金 Shell Material: Copper alloy 	2	XS6-(2)TF
		3	XS6-(3)TF
		4	XS6-(4)TF
		5	XS6-(5)TF
 XS6 : 板前安装母插座 (镀铬-镀黑-镀金) XS6 : Installation from front of panel female socket (Chrome plated- black chrome plated- gold plated)	外壳材质: 铜合金 Shell Material: Copper alloy 	2	XS6-(2)ZK
		3	XS6-(3)ZK
		4	XS6-(4)ZK
		5	XS6-(5)ZK
 XS6 : 板前安装公插座 (镀铬-镀黑-镀金) XS6 : Installation from front of panel male socket (Chrome plated- black chrome plated- gold plated)	外壳材质: 铜合金 Shell Material: Copper alloy 	2	XS6-(2)ZJ
		3	XS6-(3)ZJ
		4	XS6-(4)ZJ
		5	XS6-(5)ZJ
 XS6 : 板前安装两眼法兰母插座 (镀铬-镀黑-镀金) XS6 : Installation from front of panel 2-hole flange female socket (Chrome plated- black chrome plated- gold plated)	外壳材质: 铜合金 Shell Material: Copper alloy 	2	XS6-(2)ZKR
		3	XS6-(3)ZKR
		4	XS6-(4)ZKR
		5	XS6-(5)ZKR


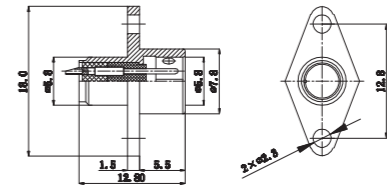

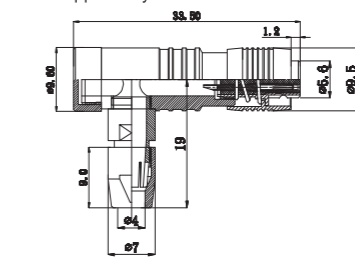

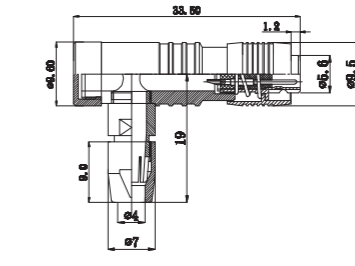
XS6

产品展示图
Product Display

产品外形尺寸示意图
Dimensions

产品芯数
Number of contact





本公司型号
Model

 XS6 : 板前安装两眼法兰公插座 (镀铬-镀黑-镀金) XS6 : Installation from front of panel 2-hole flange male socket (Chrome plated- black chrome plated- gold plated)	外壳材质: 铜合金 Shell Material: Copper alloy 	2	XS6-(2)ZJR
		3	XS6-(3)ZJR
		4	XS6-(4)ZJR
		5	XS6-(5)ZJR
 XS6 : 90度弯式母插座 (镀铬-镀黑-镀金) XS6 : Female socket with right angle (Chrome plated- black chrome plated- gold plated)	外壳材质: 铜合金 Shell Material: Copper alloy 	2	XS6-(2)TD90°
		3	XS6-(3)TD90°
		4	XS6-(4)TD90°
		5	XS6-(5)TD90°
 XS6 : 90度弯式公插座 (镀铬-镀黑-镀金) XS6 : Male socket with right angle (Chrome plated- black chrome plated- gold plated)	外壳材质: 铜合金 Shell Material: Copper alloy 	2	XS6-(2)TDF90°
		3	XS6-(3)TDF90°
		4	XS6-(4)TDF90°
		5	XS6-(5)TDF90°

芯数总览及参数特性表

Contact arrangement and specification

连接方式 Coupling : 推拉锁扣 Push pull

芯数 Number of contact	2	3	4	5				
插座焊面示意图 Insert arrangement (座装针)								
接触件直径 Contact diameter	φ0.6	φ0.6	φ0.6	φ0.6				
额定电流A Rated current(A)	2.5	2.5	2.5	2.5				
工作电压 (AC,V) Rated voltage(AC,V)	110	110	110	110				
耐压 (AC,V) 1min Test voltage(AC,V)1min	1000	1000	1000	1000				
接触电阻 (mΩ) Contact resistance	25	25	25	25				
绝缘阻抗 (mΩ) Insulation resistance	1500	1500	1500	1500				
接线孔口径 Diameter	φ0.6	φ0.6	φ0.6	φ0.6				


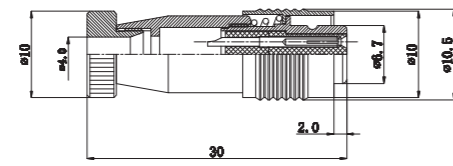

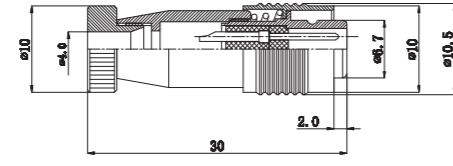

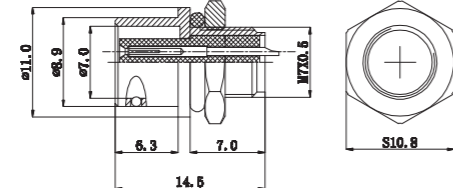

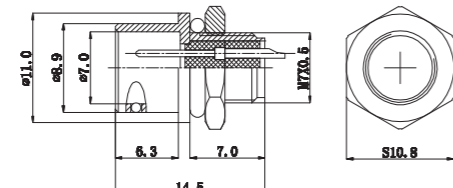

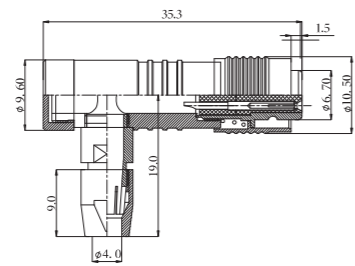
XS7

产品展示图
Product Display

产品外形尺寸示意图
Dimensions

产品芯数
Number of contact

本公司型号
Model

 XS7: 直式母插头 (镀铬-镀黑-镀金) XS7: Straight female plug (Chrome plated- black chrome plated- gold plated)	外壳材质: 铜合金 Shell Material: Copper alloy 	2	XS7-(2)T
		3	XS7-(3)T
		4	XS7-(4)T
		5	XS7-(5)T
 XS7: 直式公插头 (镀铬-镀黑-镀金) XS7: Straight male plug (Chrome plated- black chrome plated- gold plated)	外壳材质: 铜合金 Shell Material: Copper alloy 	2	XS7-(2)TF
		3	XS7-(3)TF
		4	XS7-(4)TF
		5	XS7-(5)TF
 XS7: 板前安装母插座 (镀铬-镀黑-镀金) XS7: Installation from front of panel female socket (Chrome plated- black chrome plated- gold plated)	外壳材质: 铜合金 Shell Material: Copper alloy 	2	XS7-(2)ZK
		3	XS7-(3)ZK
		4	XS7-(4)ZK
		5	XS7-(5)ZK
 XS7: 板前安装公插座 (镀铬-镀黑-镀金) XS7: Installation from front of panel male socket (Chrome plated- black chrome plated- gold plated)	外壳材质: 铜合金 Shell Material: Copper alloy 	2	XS7-(2)ZJ
		3	XS7-(3)ZJ
		4	XS7-(4)ZJ
		5	XS7-(5)ZJ
 XS7: 90度弯式公插座 (镀铬-镀黑-镀金) XS7: Female socket with right angle (Chrome plated- black chrome plated- gold plated)	外壳材质: 铜合金 Shell Material: Copper alloy 	2	XS7-(2)TD90°
		3	XS7-(3)TD90°
		4	XS7-(4)TD90°
		5	XS7-(5)TD90°


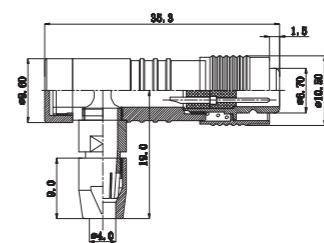
XS7

产品展示图
Product Display

产品外形尺寸示意图
Dimensions

产品芯数
Number of contact



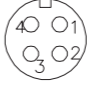

本公司型号
Model

 XS7: 90度弯式公插座 (镀铬-镀黑-镀金) XS7: Male socket with right angle (Chrome plated- black chrome plated- gold plated)	外壳材质: 铜合金 Shell Material: Copper alloy 	2	XS7-(2)TDF90°
		3	XS7-(3)TDF90°
		4	XS7-(4)TDF90°
		5	XS7-(5)TDF90°

芯数总览及参数特性表

Contact arrangement and specification

连接方式 Coupling: 推拉锁扣 Push pull

芯数 Number of contact	2	3	4	5				
插座焊接面示意图 Insert arrangement (座装针)								
接触件直径 Contact diameter	φ0.6	φ0.6	φ0.6	φ0.6				
额定电流A Rated current(A)	2.5	2.5	2.5	2.5				
工作电压 (AC,V) Rated voltage(AC,V)	110	110	110	110				
耐压 (AC,V) 1min Test voltage(AC,V)1min	1000	1000	1000	1000				
接触电阻 (mΩ) Contact resistance	1500	1500	1500	1500				
绝缘阻抗 (mΩ) Insulation resistance	25	25	25	25				
接线孔口径 Diameter	φ0.6	φ0.6	φ0.6	φ0.6				

XS12

产品展示图
Product Display

产品外形尺寸示意图
Dimensions

产品芯数
Number of contact

本公司型号
Model

<p>XS12: 直式母插头 (镀镍) XS12: Straight female plug (Nickel plated)</p>	<p>外壳材质: 铜合金-锌合金 Shell Material: copper alloy-zinc alloy</p>	2	XS12-(2)T
		3	XS12-(3)T
		4	XS12-(4)T
		5	XS12-(5)T
		6	XS12-(6)T
		7	XS12-(7)T
		<p>XS12: 直式公插头 (镀镍) XS12: Straight male plug (Nickel plated)</p>	<p>外壳材质: 铜合金-锌合金 Shell Material: copper alloy-zinc alloy</p>
3	XS12-(3)TF		
4	XS12-(4)TF		
5	XS12-(5)TF		
6	XS12-(6)TF		
7	XS12-(7)TF		
<p>XS12: 直式螺纹母插头 (镀镍) XS12: Straight threaded female plug (Nickel plated)</p>	<p>外壳材质: 铜合金-锌合金 Shell Material: copper alloy-zinc alloy</p>		
		3	XS12-(3)TM
		4	XS12-(4)TM
		5	XS12-(5)TM
		6	XS12-(6)TM
		7	XS12-(7)TM
		<p>XS12: 直式螺纹公插头 (镀镍) XS12: Straight threaded male plug (Nickel plated)</p>	<p>外壳材质: 铜合金-锌合金 Shell Material: copper alloy-zinc alloy</p>
3	XS12-(3)TFM		
4	XS12-(4)TFM		
5	XS12-(5)TFM		
6	XS12-(6)TFM		
7	XS12-(7)TFM		
<p>XS12: 直式车针孔母插头 (镀镍) XS12: Straight lathe receptacle female plug (Nickel plated)</p>	<p>外壳材质: 铜合金-锌合金 Shell Material: copper alloy-zinc alloy</p>		
		3	XS12-(3)TC
		4	XS12-(4)TC
		5	XS12-(5)TC
		6	XS12-(6)TC
		7	XS12-(7)TC

XS12

产品展示图
Product Display


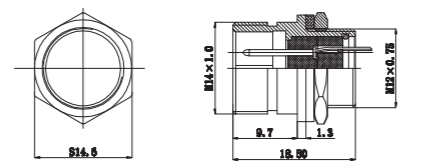

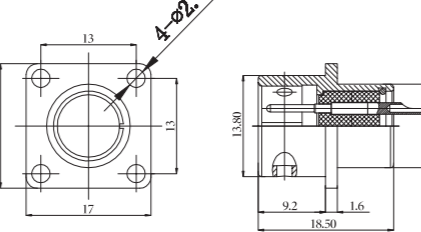

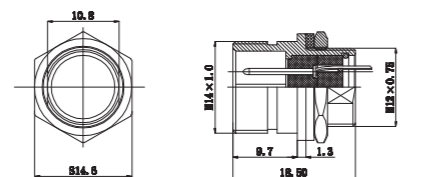

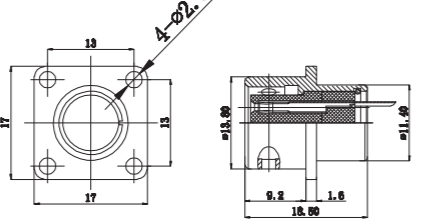
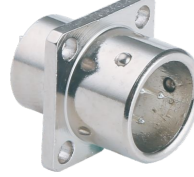
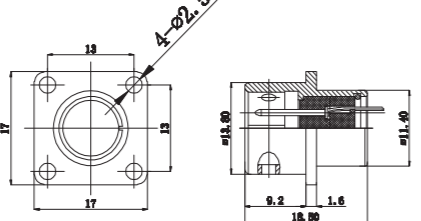
产品外形尺寸示意图
Dimensions

产品芯数
Number of contact


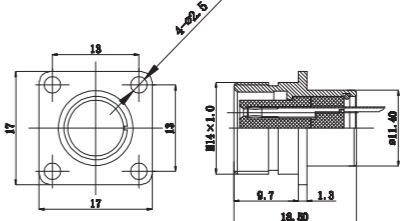

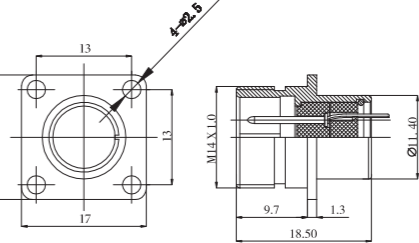

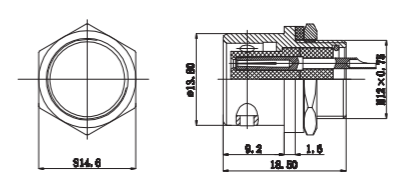

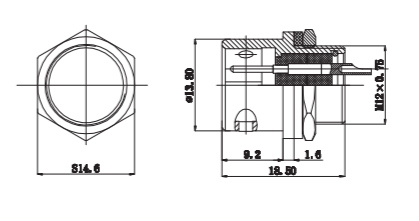

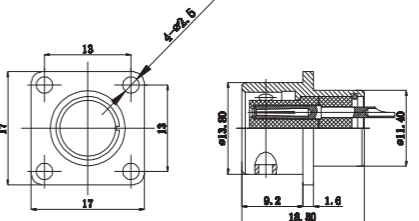
本公司型号
Model

<p>XS12: 直式车针孔公插头 (镀镍) XS12: Straight lathe receptacle male plug (Nickel plated)</p>	<p>外壳材质: 铜合金-锌合金 Shell Material: copper alloy-zinc alloy</p>	2	XS12-(2)TFC		
		3	XS12-(3)TFC		
		4	XS12-(4)TFC		
		5	XS12-(5)TFC		
		6	XS12-(6)TFC		
		7	XS12-(7)TFC		
		<p>XS12: T型护线后罩 (橡胶) XS12: T-type back shell (Rubber)</p>	<p>外壳材质: 橡胶 Shell Material: Rubber</p>	XS12-JK-HT	
<p>XS12: 板前安装母插座 (镀镍) XS12: Installation from front of panel female socket (Nickel plated)</p>	<p>外壳材质: 铜合金-锌合金 Shell Material: copper alloy-zinc alloy</p>			2	XS12-(2)ZK
				3	XS12-(3)ZK
				4	XS12-(4)ZK
				5	XS12-(5)ZK
				6	XS12-(6)ZK
				7	XS12-(7)ZK
		<p>XS12: 板前安装公插座 (镀镍) XS12: Installation from front of panel male socket (Nickel plated)</p>	<p>外壳材质: 铜合金-锌合金 Shell Material: copper alloy-zinc alloy</p>	2	XS12-(2)ZJ
3	XS12-(3)ZJ				
4	XS12-(4)ZJ				
5	XS12-(5)ZJ				
6	XS12-(6)ZJ				
7	XS12-(7)ZJ				
<p>XS12: 板前安装螺纹母插座 (镀镍) XS12: Installation from front of panel threaded female socket (Nickel plated)</p>	<p>外壳材质: 铜合金-锌合金 Shell Material: copper alloy-zinc alloy</p>			2	XS12-(2)ZKM
		3	XS12-(3)ZKM		
		4	XS12-(4)ZKM		
		5	XS12-(5)ZKM		
		6	XS12-(6)ZKM		
		7	XS12-(7)ZKM		

XS12

产品展示图 Product Display	产品外形尺寸示意图 Dimensions	产品芯数 Number of contact	本公司型号 Model
 XS12: 板前安装螺纹公插座 (镀镍) XS12: Installation from front of panel threaded male socket (Nickel plated)	外壳材质: 铜合金-锌合金 Shell Material: copper alloy-zinc alloy 	2 3 4 5 6 7	XS12-(2)ZJM XS12-(3)ZJM XS12-(4)ZJM XS12-(5)ZJM XS12-(6)ZJM XS12-(7)ZJM
 XS12: 单切面板前安装螺纹公插座 (镀镍) XS12: Installation from front of panel single section threaded male socket (Nickel plated)	外壳材质: 铜合金-锌合金 Shell Material: copper alloy-zinc alloy 	2 3 4 5 6 7	XS12-(2)DQZJ XS12-(3)DQZJ XS12-(4)DQZJ XS12-(5)DQZJ XS12-(6)DQZJ XS12-(7)DQZJ
 XS12: 双切面板前安装螺纹公插座 (镀镍) XS12: Installation from front of panel double section threaded male socket (Nickel plated)	外壳材质: 铜合金-锌合金 Shell Material: copper alloy-zinc alloy 	2 3 4 5 6 7	XS12-(2)QZJ XS12-(3)QZJ XS12-(4)QZJ XS12-(5)QZJ XS12-(6)QZJ XS12-(7)QZJ
 XS12: 板前安装四方法兰母插座 (镀镍) XS12: Installation from front of panel square flange female socket (Nickel plated)	外壳材质: 铜合金-锌合金 Shell Material: copper alloy-zinc alloy 	2 3 4 5 6 7	XS12-(2)ZKU XS12-(3)ZKU XS12-(4)ZKU XS12-(5)ZKU XS12-(6)ZKU XS12-(7)ZKU
 XS12: 板前安装四方法兰公插座 (镀镍) XS12: Installation from front of panel square flange male socket (Nickel plated)	外壳材质: 铜合金-锌合金 Shell Material: copper alloy-zinc alloy 	2 3 4 5 6 7	XS12-(2)ZJU XS12-(3)ZJU XS12-(4)ZJU XS12-(5)ZJU XS12-(6)ZJU XS12-(7)ZJU

XS12

产品展示图 Product Display	产品外形尺寸示意图 Dimensions	产品芯数 Number of contact	本公司型号 Model
 XS12: 板前安装四方法兰螺纹母插座 (镀镍) XS12: Installation from front of panel square flange threaded female socket (Nickel plated)	外壳材质: 铜合金-锌合金 Shell Material: copper alloy-zinc alloy 	2 3 4 5 6 7	XS12-(2)ZKUM XS12-(3)ZKUM XS12-(4)ZKUM XS12-(5)ZKUM XS12-(6)ZKUM XS12-(7)ZKUM
 XS12: 板前安装四方法兰螺纹公插座 (镀镍) XS12: Installation from front of panel square flange threaded male socket (Nickel plated)	外壳材质: 铜合金-锌合金 Shell Material: copper alloy-zinc alloy 	2 3 4 5 6 7	XS12-(2)ZJUM XS12-(3)ZJUM XS12-(4)ZJUM XS12-(5)ZJUM XS12-(6)ZJUM XS12-(7)ZJUM
 XS12: 板前安装车针孔母插座 (镀镍) XS12: Installation from front of panel lath receptacle female socket (Nickel plated)	外壳材质: 铜合金-锌合金 Shell Material: copper alloy-zinc alloy 	2 3 4 5 6 7	XS12-(2)ZKC XS12-(3)ZKC XS12-(4)ZKC XS12-(5)ZKC XS12-(6)ZKC XS12-(7)ZKC
 XS12: 板前安装车针孔公插座 (镀镍) XS12: Installation from front of panel lath receptacle male socket (Nickel plated)	外壳材质: 铜合金-锌合金 Shell Material: copper alloy-zinc alloy 	2 3 4 5 6 7	XS12-(2)ZJC XS12-(3)ZJC XS12-(4)ZJC XS12-(5)ZJC XS12-(6)ZJC XS12-(7)ZJC
 XS12: 板前安装四方法兰针孔母插座 (镀镍) XS12: Installation from front of panel square flange lath receptacle female socket (Nickel plated)	外壳材质: 铜合金-锌合金 Shell Material: copper alloy-zinc alloy 	2 3 4 5 6 7	XS12-(2)ZKUCH XS12-(3)ZKUCH XS12-(4)ZKUCH XS12-(5)ZKUCH XS12-(6)ZKUCH XS12-(7)ZKUCH


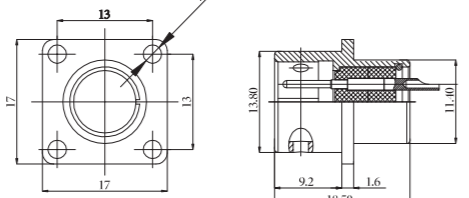

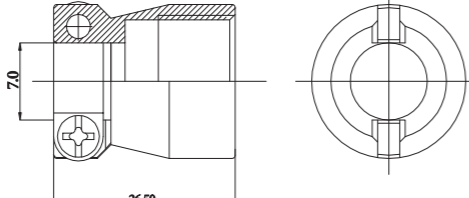
XS12

产品展示图
Product Display

产品外形尺寸示意图
Dimensions

产品芯数
Number of contact







本公司型号
Model

 <p>XS12: 板前安装四方法兰针孔插座 (镀镍) XS12: Installation from front of panel square flange lath receptacle male socket (Nickel plated)</p>	<p>外壳材质: 铜合金-锌合金 Shell Material: copper alloy-zinc alloy</p> 	<p>2</p>	<p>XS12-(2)ZJUCH</p>
		<p>3</p>	<p>XS12-(3)ZJUCH</p>
		<p>4</p>	<p>XS12-(4)ZJUCH</p>
		<p>5</p>	<p>XS12-(5)ZJUCH</p>
		<p>6</p>	<p>XS12-(6)ZJUCH</p>
		<p>7</p>	<p>XS12-(7)ZJUCH</p>
 <p>XS12: 对接后罩 (镀镍) XS12: Cable back shell (Nickel plated)</p>	<p>外壳材质: 铜合金-锌合金 Shell Material: copper alloy-zinc alloy</p> 		<p>XS12-JK-ZD</p>

芯数总览及参数特性表

Contact arrangement and specification

连接方式 Coupling: 推拉锁扣 Push pull

芯数 Number of contact	2	3	4	5	6	7		
插座焊接面示意图 Insert arrangement (座装针)								
接触件直径 Contact diameter	φ1.0	φ1.0	φ1.0	φ1.0	φ1.0	φ1.0		
额定电流(A) Rated current(A)	8	5	5	5	5	5		
工作电压 (AC,V) Rated voltage(AC,V)	250	250	250	250	250	250		
耐压 (AC,V) 1min Test voltage(AC,V)1min	1500	1500	1500	1500	1500	1500		
接触电阻 (mΩ) Contact resistance	5	5	5	5	5	5		
绝缘阻抗 (mΩ) Insulation resistance	1500	1500	1500	1500	1500	1500		
接线孔口径 Diameter	φ1.0	φ1.0	φ1.0	φ1.0	φ1.0	φ1.0		

第四章 The fourth chapter

XL系列 XL series

产品展示 : Product Display



材料和技术参数 : Material and spec

接插方式 Coupling	螺纹锁紧 Threaded	接线方式 Termination	焊接 Solder
外壳材料 The shell material	压铸锌合金电镀/电镀铬 Zinc Nickel-plated/Chrome-plated 铜合金电镀/电镀铬 Brass Nickel-plated/Chrome-plated	插接次数 Mating cycle	500次 500 cycles
绝缘体 Insulator material	电木 Bakelite	适应温度范围 Temperature range	-25°C~85°C
接触体材料 Contact material	铜镀金 Brass with gold plated	防护等级 IP protection class	IP65

X12L

产品展示图
Product Display

产品外形尺寸示意图
Dimensions

产品芯数
Number of contact

本公司型号
Model

<p>X12L: 直式母插头 (镀镍) X12L: Straight female plug (Nickel plated)</p>	<p>外壳材质: 铜合金 Shell Material: Copper alloy</p>	尾部过线直径 Termination diameter	Max 6.5 Min 3.0	2	X12L-(2)T
		3	X12L-(3)T		
		4	X12L-(4)T		
		5	X12L-(5)T		
		6	X12L-(6)T		
		7	X12L-(7)T		
		<p>X12L: 直式公插头 (镀镍) X12L: Straight male plug (Nickel plated)</p>	<p>外壳材质: 铜合金 Shell Material: Copper alloy</p>	尾部过线直径 Termination diameter	Max 6.5 Min 3.0
3	X12L-(3)TF				
4	X12L-(4)TF				
5	X12L-(5)TF				
6	X12L-(6)TF				
7	X12L-(7)TF				
<p>X12L: 板前安装四方法兰母插座 (镀镍) X12L: Installation from front of panel square flange female socket (Nickel plated)</p>	<p>外壳材质: 铜合金 Shell Material: Copper alloy</p> <p>接触件可由用户定制PCB插针 contact can be custom made PCB pin</p>				
				3	X12L-(3)ZJU
				4	X12L-(4)ZJU
				5	X12L-(5)ZJU
				6	X12L-(6)ZJU
				7	X12L-(7)ZJU
		<p>X12L: 板前安装四方法兰公插座 (镀镍) X12L: Installation from front of panel square flange male socket (Nickel plated)</p>	<p>外壳材质: 铜合金 Shell Material: Copper alloy</p> <p>接触件可由用户定制PCB插针 contact can be custom made PCB pin</p>		
				3	X12L-(3)ZKU
				4	X12L-(4)ZKU
				5	X12L-(5)ZKU
				6	X12L-(6)ZKU
				7	X12L-(7)ZKU
<p>X12L: 板前安装单切面母插座 (镀镍) X12L: installation from front of panel single section female socket (Nickel plated)</p>	<p>外壳材质: 铜合金 Shell Material: Copper alloy</p> <p>接触件可由用户定制PCB插针 contact can be custom made PCB pin</p>				
				3	X12L-(3)ZKDQ
				4	X12L-(4)ZKDQ
				5	X12L-(5)ZKDQ
				6	X12L-(6)ZKDQ
				7	X12L-(7)ZKDQ

X12L

产品展示图
Product Display

产品外形尺寸示意图
Dimensions

产品芯数
Number of contact

本公司型号
Model

<p>X12L: 板前安装单切面公插座 (镀镍) X12L: installation from front of panel single section male socket (Nickel plated)</p>	<p>外壳材质: 铜合金 Shell Material: Copper alloy</p> <p>接触件可由用户定制PCB插针 contact can be custom made PCB pin</p>	2	X12L-(2)ZJDQ
		3	X12L-(3)ZJDQ
		4	X12L-(4)ZJDQ
		5	X12L-(5)ZJDQ
		6	X12L-(6)ZJDQ
		7	X12L-(7)ZJDQ

芯数总览及参数特性表

Contact arrangement and specification

芯数 Number of contact	2	3	4	5	6	7		
插座焊接面示意图 Insert arrangement (座装针)								
接触件直径 Contact diameter	φ1.0	φ1.0	φ1.0	φ1.0	φ1.0	φ1.0		
额定电流A Rated current(A)	5	5	5	5	5	5		
工作电压 (AC,V) Rated voltage(AC,V)	200	200	150	125	125	125		
耐压 (AC,V) 1min Test voltage(AC,V)1min	1500	1500	1000	1000	500	500		
接触电阻 (mΩ) Contact resistance	5	5	5	5	5	5		
绝缘阻抗 (mΩ) Insulation resistance	2000	2000	2000	2000	2000	2000		
接线孔口径 Diameter	φ1.0	φ1.0	φ1.0	φ1.0	φ1.0	φ1.0		

第五章 The fifth chapter

G系列 G series

产品展示 : Product Display



材料和技术参数 : Material and spec

接插方式 Coupling	螺纹锁紧 Threaded	接线方式 Termination	焊接 Solder
外壳材料 The shell material	铜合金镀镍 Copper alloy with nickel plated	插接次数 Mating cycle	500次 500 cycles
绝缘体 Insulator material	耐高温PBT Heat-resistant PPS	适应温度范围 Temperature range	-25°C~85°C
接触体材料 Contact material	铜镀金 Brass with gold plated	防护等级 IP protection class	IP67

12G

产品展示图
Product Display

产品外形尺寸示意图
Dimensions

产品芯数
Number of contact

本公司型号
Model

 12G: Straight female plug (Nickel plated)	外壳材质: 铜合金 Shell Material: Copper alloy	尾部过线直径 Termination diameter	φ4.5-φ3.0	2	12G-(2)T
				3	12G-(3)T
				4	12G-(4)T
				5	12G-(5)T
				6	12G-(6)T
				7	12G-(7)T
	 12G: Male cable plug (nickel plating)	外壳材质: 铜合金 Shell Material: Copper alloy	尾部过线直径 Termination diameter	φ4.5-φ3.0	2
				3	12G-(3)TA
				4	12G-(4)TA
				5	12G-(5)TA
				6	12G-(6)TA
				7	12G-(7)TA
 12G: Installation from front of panel hexagonal socket (Nickel plated)		外壳材质: 铜合金 Shell Material: Copper alloy	接触件可由用户定制PCB插针 Contact can be custom made PCB pin		2
				3	12G-(3)ZJ
				4	12G-(4)ZJ
				5	12G-(5)ZJ
				6	12G-(6)ZJ
				7	12G-(7)ZJ

芯数总览及参数特性表

Contact arrangement and specification

芯数 Number of contact	2	3	4	5	6	7		
插座焊接面示意图 Insert arrangement (座装针)								
接触件直径 Contact diameter	φ0.9	φ0.9	φ0.9	φ0.9	φ0.9	φ0.9		
额定电流A Rated current(A)	5	5	5	5	5	5		
工作电压 (AC,V) Rated voltage(AC,V)	200	200	200	180	125	125		
耐压 (AC,V) 1min Test voltage(AC,V)1min	1500	1500	1500	1500	1500	1500		
接触电阻 (mΩ) Contact resistance	5	5	5	5	5	5		
绝缘阻抗 (mΩ) Insulation resistance	2000	2000	2000	2000	2000	2000		
接线孔口径 Diameter	φ0.5	φ0.5	φ0.5	φ0.5	φ0.5	φ0.5		

16G

产品展示图
Product Display

产品外形尺寸示意图
Dimensions

产品芯数
Number of contact

本公司型号
Model

<p>16G: 直式母插头 (镀银) 16G: Straight female plug (silver plated)</p>	<p>外壳材质: 铜合金 Shell Material: Copper alloy</p> <p>尾部过线直径 Termination diameter $\phi 4.5-\phi 3.0$</p>	2	16G-(2)T		
		3	16G-(3)T		
		4	16G-(4)T		
		5	16G-(5)T		
		6	16G-(6)T		
		7	16G-(7)T		
		8	16G-(8)T		
		10	16G-(10)T		
		12	16G-(12)T		
		<p>16G: 板前六角公插座 (镀银) 16G: Board hexagonal male socket (silver)</p>	<p>外壳材质: 铜合金 Shell Material: Copper alloy</p> <p>尾部过线直径 Termination diameter $\phi 4.5-\phi 3.0$</p>	2	16G-(2)ZJ
				3	16G-(3)ZJ
				4	16G-(4)ZJ
5	16G-(5)ZJ				
6	16G-(6)ZJ				
7	16G-(7)ZJ				
8	16G-(8)ZJ				
10	16G-(10)ZJ				
12	16G-(12)ZJ				
<p>16G: 板前圆形公插座 (镀银) 16G: Board front round male socket (silver)</p>	<p>外壳材质: 铜合金 Shell Material: Copper alloy</p> <p>尾部过线直径 Termination diameter $\phi 4.5-\phi 3.0$</p>			2	16G-(2)ZJ
				3	16G-(3)ZJ
				4	16G-(4)ZJ
		5	16G-(5)ZJ		
		6	16G-(6)ZJ		
		7	16G-(7)ZJ		
		8	16G-(8)ZJ		
		10	16G-(10)ZJ		
		12	16G-(12)ZJ		

16G

产品展示图
Product Display

产品外形尺寸示意图
Dimensions

产品芯数
Number of contact

本公司型号
Model

<p>16G: 板前安装四法兰公插座 (镀银) 16G: Board before the installation of four flange socket (silver)</p>	<p>外壳材质: 铜合金 Shell Material: Copper alloy</p> <p>尾部过线直径 Termination diameter $\phi 4.5-\phi 3.0$</p>	2	16G-(2)ZJU
		3	16G-(3)ZJU
		4	16G-(4)ZJU
		5	16G-(5)ZJU
		6	16G-(6)ZJU
		7	16G-(7)ZJU
		8	16G-(8)ZJU
		10	16G-(10)ZJU
		12	16G-(12)ZJU

芯数总览及参数特性表

Contact arrangement and specification

芯数 Number of contact	2	3	4	5	6	7	8
插座焊面示意图 Insert arrangement (座装针)							
接触件直径 Contact diameter	$\phi 1.6$	$\phi 1.6$	$\phi 1.6$	$\phi 1.6$	$\phi 1.0$	$\phi 1.0$	$\phi 1.0$
额定电流(A) Rated current(A)	10A	10A	10A	10A	5A	5A	5A
工作电压 (AC,V) Rated voltage(AC,V)	500	500	400	400	260	260	260
耐压 (AC,V) 1min Test voltage(AC,V)1min	2000	2000	2000	2000	1500	1500	1500
接触电阻 (m Ω) Contact resistance	6	6	6	6	12	12	12
绝缘阻抗 (m Ω) Insulation resistance	2000	2000	2000	2000	1500	1500	1500
接线孔口径 Diameter	$\phi 1.6$	$\phi 1.6$	$\phi 1.6$	$\phi 1.6$	$\phi 1.1$	$\phi 1.1$	$\phi 1.1$
芯数 Number of contact	10	12					
插座焊面示意图 Insert arrangement (座装针)							
接触件直径 Contact diameter	$\phi 1.0$	$\phi 1.0$					
额定电流(A) Rated current(A)	5A	5A					
工作电压 (AC,V) Rated voltage(AC,V)	200	200					
耐压 (AC,V) 1min Test voltage(AC,V)1min	1000	1000					
接触电阻 (m Ω) Contact resistance	12	12					
绝缘阻抗 (m Ω) Insulation resistance	1500	1500					
接线孔口径 Diameter	$\phi 1.1$	$\phi 1.1$					

第六章 The sixth chapter

SF系列 SF series

产品展示 : Product Display



材料和技术参数 : Material and spec

接插方式 Coupling	插入式快速缩紧 PUSH-PULL	螺纹锁紧 Threaded	接线方式 Termination	焊接 Solder
外壳材料 The shell material	铜合金电镀铬 Copper alloy chrome plated		插接次数 Mating cycle	500次 500 cycles
绝缘体 Insulator material	电木 Bakelite		适应温度范围 Temperature range	-25°C~85°C
接触体材料 Contact material	铜镀金 Brass with gold plated		防护等级 IP protection class	IP67/IP68

SF10

产品展示图 Product Display

产品外形尺寸示意图 Dimensions

产品芯数 Number of contact

本公司型号 Model

 SF10: Straight female plug (Chrome plated)	外壳材质: 铜合金 Shell Material: Copper alloy	尾部过线直径 Termination diameter	Max 6.8 Min 3.0	2	SF10-(2)T
	 SF10: Installation from front of panel single section male socket (Chrome plated)	外壳材质: 铜合金 Shell Material: Copper alloy 接触件可由用户定制PCB插针 Contact can be custom made PCB pin 橡胶防尘盖(不标配) The rubber dust proof cover (not standard contained) 需要防尘盖请与业务联系 If dust proof cover is needed, please contact us.		3	SF10-(3)T
				4	SF10-(4)T
				5	SF10-(5)T
				2	SF10-(2)ZJDQ
 SF10: Installation from front panel square flange socket (Chrome plated)	外壳材质: 铜合金 Shell Material: Copper alloy 接触件可由用户定制PCB插针 Contact can be custom made PCB pin 橡胶防尘盖(不标配) The rubber dust proof cover (not standard contained) 需要防尘盖请与业务联系 If dust proof cover is needed, please contact us.		3	SF10-(3)ZJDQ	
			4	SF10-(4)ZJDQ	
			5	SF10-(5)ZJDQ	
			2	SF10-(2)ZJU	
			3	SF10-(3)ZJU	
 SF10: Installation from front panel square flange socket (Chrome plated)	外壳材质: 铜合金 Shell Material: Copper alloy 接触件可由用户定制PCB插针 Contact can be custom made PCB pin 橡胶防尘盖(不标配) The rubber dust proof cover (not standard contained) 需要防尘盖请与业务联系 If dust proof cover is needed, please contact us.		4	SF10-(4)ZJU	
			5	SF10-(5)ZJU	

芯数总览及参数特性表

Contact arrangement and specification

芯数 Number of contact	2	3	4	5	6	7		
插座焊接面示意图 Insert arrangement (座装针)								
接触件直径 Contact diameter	φ0.8	φ0.8	φ0.8	φ0.8	φ0.8	φ0.8		
额定电流A Rated current(A)	4	4	4	4	4	4		
工作电压 (AC,V) Rated voltage(AC,V)	150	125	125	125	125	125		
耐压 (AC,V) 1min Test voltage(AC,V)1min	1200	1200	1200	1200	1200	1200		
接触电阻 (mΩ) Contact resistance	10	10	10	10	10	10		
绝缘阻抗 (mΩ) Insulation resistance	2000	2000	2000	2000	2000	2000		
接线孔口径 Diameter	φ0.6	φ0.6	φ0.6	φ0.6	φ0.6	φ0.6		


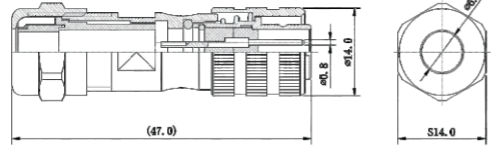

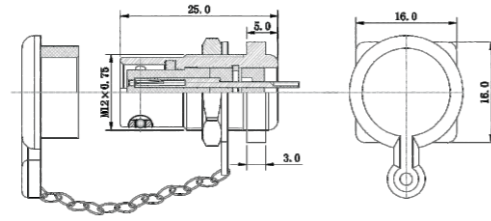
SF10

产品展示图
Product Display

产品外形尺寸示意图
Dimensions

产品芯数
Number of contact

本公司型号
Model

 SF10: 直式直纹公插头 (电泳军绿色) SF10: Straight Straight Male Plug (Electrophoresis Army Green)	外壳材质: 铜合金 Shell Material: Copper alloy	尾部过线直径 Termination diameter	Max 6.8	Min 3.0	2	SF10-(2)T
		3	SF10-(3)T			
		4	SF10-(4)T			
		5	SF10-(5)T			
						
 SF10: 板前安装四方法兰母插座 (电泳军绿色) SF10: Board before the installation of four-way flange socket (Electrophoresis army green)	外壳材质: 铜合金 Shell Material: Copper alloy	2	SF10-(2)ZJDQ			
		3	SF10-(3)ZJDQ			
		4	SF10-(4)ZJDQ			
		5	SF10-(5)ZJDQ			
						


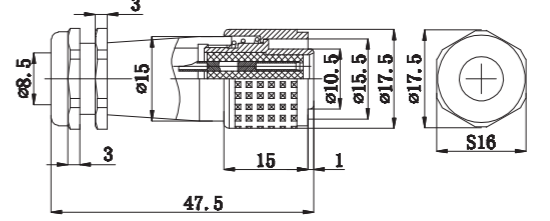

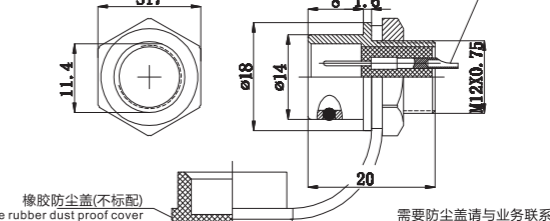

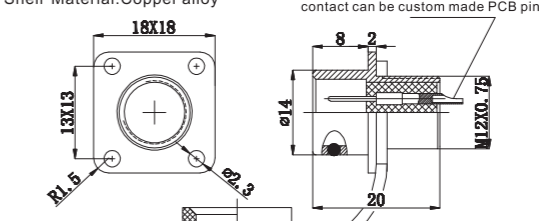

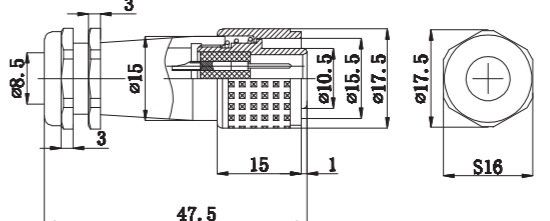

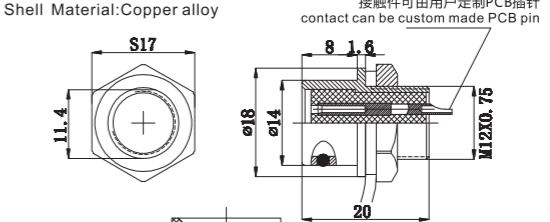
SF12

产品展示图
Product Display

产品外形尺寸示意图
Dimensions

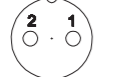


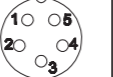


产品芯数
Number of contact

本公司型号
Model

 SF12: 直式母插头 (镀铬) SF12: Straight female plug (Chrome plated)	外壳材质: 铜合金 Shell Material: Copper alloy	尾部过线直径 Termination diameter	Max 8.5	Min 4.0	2	SF12-(2)T
		3	SF12-(3)T			
		4	SF12-(4)T			
		5	SF12-(5)T			
		6	SF12-(6)T			
		7	SF12-(7)T			
		9	SF12-(9)T			
						
		 SF12: 板前安装单切面公插座 (镀铬) SF12: Installation from front of panel single section male socket (Chrome plated)	外壳材质: 铜合金 Shell Material: Copper alloy	2	SF12-(2)ZJDQ	
3	SF12-(3)ZJDQ					
4	SF12-(4)ZJDQ					
5	SF12-(5)ZJDQ					
6	SF12-(6)ZJDQ					
7	SF12-(7)ZJDQ					
9	SF12-(9)ZJDQ					
						
 SF12: 板前安装四方法兰公插座 (镀铬) SF12: Installation from front of panel square flange male socket (Chrome plated)	外壳材质: 铜合金 Shell Material: Copper alloy			2	SF12-(2)ZJU	
		3	SF12-(3)ZJU			
		4	SF12-(4)ZJU			
		5	SF12-(5)ZJU			
		6	SF12-(6)ZJU			
		7	SF12-(7)ZJU			
		9	SF12-(9)ZJU			
						
		 SF12: 直式公插头 (镀铬) SF12: Straight male plug (Chrome plated)	外壳材质: 铜合金 Shell Material: Copper alloy	尾部过线直径 Termination diameter	Max 8.5	Min 4.0
3	SF12-(3)TF					
4	SF12-(4)TF					
5	SF12-(5)TF					
6	SF12-(6)TF					
7	SF12-(7)TF					
9	SF12-(9)TF					
						
 SF12: 板前安装单切面母插座 (镀铬) SF12: Installation from front of panel single section female socket (Chrome plated)	外壳材质: 铜合金 Shell Material: Copper alloy			2	SF12-(2)ZKDQ	
		3	SF12-(3)ZKDQ			
		4	SF12-(4)ZKDQ			
		5	SF12-(5)ZKDQ			
		6	SF12-(6)ZKDQ			
		7	SF12-(7)ZKDQ			
		9	SF12-(9)ZKDQ			
						

芯数总览及参数特性表

Contact arrangement and specification

芯数 Number of contact	2	3	4	5	6	7		
插座焊接面示意图 Insert arrangement (座装孔)								
接触件直径 Contact diameter	φ0.8	φ0.8	φ0.8	φ0.8	φ0.8	φ0.8		
额定电流(A) Rated current(A)	4	4	4	4	4	4		
工作电压 (AC,V) Rated voltage(AC,V)	150	125	125	125	125	125		
耐压 (AC,V) 1min Test voltage(AC,V)1min	1200	1200	1200	1200	1200	1200		
接触电阻 (mΩ) Contact resistance	10	10	10	10	10	10		
绝缘阻抗 (mΩ) Insulation resistance	2000	2000	2000	2000	2000	2000		
接线孔口径 Diameter	φ0.6	φ0.6	φ0.6	φ0.6	φ0.6	φ0.6		

SF12

产品展示图
Product Display

产品外形尺寸示意图
Dimensions

产品芯数
Number of contact

本公司型号
Model

 SF12: Installation from front of panel square flange female socket (Chrome plated)	外壳材质: 铜合金 Shell Material: Copper alloy 接触件可由用户定制PCB插针 Contact can be custom made PCB pin 橡胶防尘盖(不标配) The rubber dust proof cover (not standard contained) 需要防尘盖请与业务联系 If dust proof cover is needed, please contact us.		2	SF12-(2)ZKU							
			3	SF12-(3)ZKU							
			4	SF12-(4)ZKU							
			5	SF12-(5)ZKU							
			6	SF12-(6)ZKU							
			7	SF12-(7)ZKU							
			9	SF12-(9)ZKU							
			 SF12: Female cable plug (Chrome plated)	外壳材质: 铜合金 Shell Material: Copper alloy 尾部过线直径 Termination diameter <table border="1"> <tr><td>Max</td><td>8.5</td></tr> <tr><td>Min</td><td>4.0</td></tr> </table>	Max	8.5	Min	4.0		2	SF12-(2)TAF
					Max	8.5					
Min	4.0										
3	SF12-(3)TAF										
4	SF12-(4)TAF										
5	SF12-(5)TAF										
6	SF12-(6)TAF										
7	SF12-(7)TAF										
9	SF12-(9)TAF										
 SF12: Male cable plug (Chrome plated)	外壳材质: 铜合金 Shell Material: Copper alloy 尾部过线直径 Termination diameter <table border="1"> <tr><td>Max</td><td>8.5</td></tr> <tr><td>Min</td><td>4.0</td></tr> </table>	Max	8.5	Min	4.0		2	SF12-(2)TA			
		Max	8.5								
		Min	4.0								
		3	SF12-(3)TA								
		4	SF12-(4)TA								
		5	SF12-(5)TA								
		6	SF12-(6)TA								
		7	SF12-(7)TA								
		9	SF12-(9)TA								

芯数总览及参数特性表

Contact arrangement and specification

芯数 Number of contact	2	3	4	5	6	7	9
插座焊面示意图 Insert arrangement (座装孔)							
接触件直径 Contact diameter	φ1.5	φ1.5	φ1.0	φ1.0	φ1.0	φ1.0	φ0.7
额定电流(A) Rated current(A)	13	13	5	5	5	5	3
工作电压 (AC,V) Rated voltage(AC,V)	250	250	220	180	125	125	125
耐压 (AC,V) 1min Test voltage(AC,V)1min	1500	1500	1500	1000	1000	1000	1000
接触电阻 (mΩ) Contact resistance	2	2	5	5	5	5	10
绝缘阻抗 (mΩ) Insulation resistance	2000	2000	2000	2000	2000	2000	2000
接线孔口径 Diameter	φ1.0	φ1.0	φ0.9	φ0.9	φ0.9	φ0.9	φ0.9

SF12L

产品展示图
Product Display

产品外形尺寸示意图
Dimensions

产品芯数
Number of contact

本公司型号
Model

 SF12L: Straight threaded female plug (Chrome plated)	外壳材质: 铜合金 Shell Material: Copper alloy 尾部过线直径 Termination diameter <table border="1"> <tr><td>Max</td><td>8.5</td></tr> <tr><td>Min</td><td>4.0</td></tr> </table>	Max	8.5	Min	4.0		2	SF12L-(2)T			
		Max	8.5								
		Min	4.0								
		3	SF12L-(3)T								
		4	SF12L-(4)T								
		5	SF12L-(5)T								
		6	SF12L-(6)T								
		7	SF12L-(7)T								
		9	SF12L-(9)T								
 SF12L: Installation from front of panel threaded single section male socket (Chrome plated)	外壳材质: 铜合金 Shell Material: Copper alloy 接触件可由用户定制PCB插针 contact can be custom made PCB pin 橡胶防尘盖(不标配) The rubber dust proof cover (not standard contained) 需要防尘盖请与业务联系 If dust proof cover is needed, please contact us.		2	SF12L-(2)ZJDQ							
			3	SF12L-(3)ZJDQ							
			4	SF12L-(4)ZJDQ							
			5	SF12L-(5)ZJDQ							
			6	SF12L-(6)ZJDQ							
			7	SF12L-(7)ZJDQ							
			9	SF12L-(9)ZJDQ							
			 SF12L: Installation from front of panel threaded square flange socket (Chrome plated)	外壳材质: 铜合金 Shell Material: Copper alloy 接触件可由用户定制PCB插针 contact can be custom made PCB pin 橡胶防尘盖(不标配) The rubber dust proof cover (not standard contained) 需要防尘盖请与业务联系 If dust proof cover is needed, please contact us.		2	SF12L-(2)ZJU				
						3	SF12L-(3)ZJU				
4	SF12L-(4)ZJU										
5	SF12L-(5)ZJU										
6	SF12L-(6)ZJU										
7	SF12L-(7)ZJU										
9	SF12L-(9)ZJU										
 SF12L: Straight threaded male plug (Chrome plated)	外壳材质: 铜合金 Shell Material: Copper alloy 尾部过线直径 Termination diameter <table border="1"> <tr><td>Max</td><td>8.5</td></tr> <tr><td>Min</td><td>4.0</td></tr> </table>	Max				8.5	Min	4.0		2	SF12L-(2)TF
		Max				8.5					
		Min	4.0								
		3	SF12L-(3)TF								
		4	SF12L-(4)TF								
		5	SF12L-(5)TF								
		6	SF12L-(6)TF								
		7	SF12L-(7)TF								
		9	SF12L-(9)TF								
 SF12L: Installation from front of panel threaded single section female socket (Chrome plated)	外壳材质: 铜合金 Shell Material: Copper alloy 接触件可由用户定制PCB插针 contact can be custom made PCB pin 橡胶防尘盖(不标配) The rubber dust proof cover (not standard contained) 需要防尘盖请与业务联系 If dust proof cover is needed, please contact us.		2	SF12L-(2)ZKDQ							
			3	SF12L-(3)ZKDQ							
			4	SF12L-(4)ZKDQ							
			5	SF12L-(5)ZKDQ							
			6	SF12L-(6)ZKDQ							
			7	SF12L-(7)ZKDQ							
			9	SF12L-(9)ZKDQ							

SF12L

产品展示图
Product Display

产品外形尺寸示意图
Dimensions

产品芯数
Number of contact

本公司型号
Model

<p>SF12L: 螺纹式板前安装四方法兰母插座 (镀铬) SF12L: Installation from front of panel threaded square flange female socket (Chrome plated)</p>	<p>外壳材质: 铜合金 Shell Material: Copper alloy</p> <p>接触件可由用户定制PCB插针 Contact can be custom made PCB pin</p> <p>橡胶防尘盖(不标配) The rubber dust proof cover (not standard contained)</p> <p>需要防尘盖请与业务联系 If dust proof cover is needed, please contact us.</p>	2	SF12L-(2)ZKU				
<p>SF12L: 螺纹式对接母插头 (镀铬) SF12L: Threaded female cable plug (Chrome plated)</p>	<p>外壳材质: 铜合金 Shell Material: Copper alloy</p> <p>尾部过线直径 Termination diameter</p> <table border="1"> <tr><td>Max</td><td>8.5</td></tr> <tr><td>Min</td><td>4.0</td></tr> </table>	Max	8.5	Min	4.0	2	SF12L-(2)TAF
Max	8.5						
Min	4.0						
<p>SF12L: 螺纹式对接公插头 (镀铬) SF12L: Threaded male cable plug (Chrome plated)</p>	<p>外壳材质: 铜合金 Shell Material: Copper alloy</p> <p>尾部过线直径 Termination diameter</p> <table border="1"> <tr><td>Max</td><td>8.5</td></tr> <tr><td>Min</td><td>4.0</td></tr> </table>	Max	8.5	Min	4.0	2	SF12L-(2)TA
Max	8.5						
Min	4.0						
<p>SF12F: 螺纹式直式公插头 (镀铬) SF12F: Straight threaded male plug (Chrome plated)</p>	<p>外壳材质: 铜合金 Shell Material: Copper alloy</p> <p>尾部过线直径 Termination diameter</p> <table border="1"> <tr><td>Max</td><td>8.5</td></tr> <tr><td>Min</td><td>4.0</td></tr> </table>	Max	8.5	Min	4.0	2	SF12L-(2)TF
Max	8.5						
Min	4.0						
<p>SF12F: 板前安装单切边公座 (镀铬) SF12F: Single trim trimmer (chrome plated) installed in front of the board</p>	<p>外壳材质: 铜合金 Shell Material: Copper alloy</p> <p>接触件可由用户定制PCB插针 contact can be custom made PCB pin</p>	2	SF12L-(2)ZJDQ				
		3	SF12L-(3)ZJDQ				
		4	SF12L-(4)ZJDQ				
		5	SF12L-(5)ZJDQ				
		6	SF12L-(6)ZJDQ				
		7	SF12L-(7)ZJDQ				
		9	SF12L-(9)ZJDQ				

第七章 The seventh chapter

GX系列 GX series

产品展示 : Product Display



材料和技术参数 : Material and spec

接插方式 Coupling	螺纹锁紧 Threaded	接线方式 Termination	焊接 Solder
外壳材料 The shell material	压铸锌合金电镀/电镀铬 Zinc Nickel-plated/Chrome-plated	插接次数 Mating cycle	500次 500 cycles
绝缘体 Insulator material	电木 Bakelite	适应温度范围 Temperature range	-25°C~85°C
接触体材料 Contact material	铜镀金 Brass with gold plated	防护等级 IP protection class	IP65

GX12M(RS765)

产品展示图
Product Display

产品外形尺寸示意图
Dimensions

产品芯数
Number of contact

本公司型号
Model

<p>12M: 直式母插头 (镀镍-镀黑-镀金) 12M: straight female plug (Nickel plated-black chrome plated-gold plated)</p>	<p>外壳材质: 锌合金 Shell Material: Zinc alloy</p> <p>尾部过线直径 Termination diameter ≤ 5.0</p>	2	12M-(2)T
		3	12M-(3)T
		4	12M-(4)T
		5	12M-(5)T
		6	12M-(6)T
		7	12M-(7)T
		<p>12M: 对接公插头 (镀镍-镀黑-镀金) 12M: Male cable plug (Nickel plated-black chrome plated-gold plated)</p>	<p>外壳材质: 锌合金 Shell Material: Zinc alloy</p> <p>尾部过线直径 Termination diameter ≤ 5.0</p>
3	12M-(3)A		
4	12M-(4)A		
5	12M-(5)A		
6	12M-(6)A		
7	12M-(7)A		
<p>12M: 板前安装公插座 (镀镍-镀黑-镀金) 12M: Installation from front of panel male socket (Nickel plated-black chrome plated-gold plated)</p>	<p>外壳材质: 锌合金 Shell Material: Zinc alloy</p> <p>接触件可由用户定制PCB插针 Contact can be custom made PCB pin</p>		
		3	12M-(3)ZJQ
		4	12M-(4)ZJQ
		5	12M-(5)ZJQ
		6	12M-(6)ZJQ
		7	12M-(7)ZJQ
		<p>12M: 板后安装公插座 (镀镍-镀黑-镀金) 12M: Installation from rear of panel male socket (Chrome plated-black chrome plated-gold plated)</p>	<p>外壳材质: 锌合金 Shell Material: Zinc alloy</p> <p>接触件可由用户定制PCB插针 Contact can be custom made PCB pin</p>
3	12M-(3)ZHJQ		
4	12M-(4)ZHJQ		
5	12M-(5)ZHJQ		
6	12M-(6)ZHJQ		
7	12M-(7)ZHJQ		
<p>12M: 塑料防尘盖 12M: The plastic dust proof cover</p>	<p>需要防尘盖请与业务联系 If dust proof cover is needed, please contact us.</p>		

GX12M(RS765)

产品展示图
Product Display

产品外形尺寸示意图
Dimensions

产品芯数
Number of contact

本公司型号
Model

<p>12M: 板前安装四方法兰公座 (镀镍-镀黑-镀金) 12M: Installation from front of panel square flange male socket (Nickel plated-black chrome plated-gold plated)</p>	<p>外壳材质: 锌合金 Shell Material: Zinc alloy</p> <p>接触件可由用户定制PCB插针 Contact can be custom made PCB pin</p>	2	12M-(2)ZJU
		3	12M-(3)ZJU
		4	12M-(4)ZJU
		5	12M-(5)ZJU
		6	12M-(6)ZJU
		7	12M-(7)ZJU
		<p>12M: 直式母插头 (镀镍-镀黑-镀金) 12M: Straight female plug (Nickel plated-black chrome plated-gold plated)</p>	<p>外壳材质: 铜合金 Shell Material: Copper alloy</p> <p>尾部过线直径 Termination diameter ≤ 5.8</p>
3	12M-(3)T		
4	12M-(4)T		
5	12M-(5)T		
6	12M-(6)T		
7	12M-(7)T		
<p>12M: 板前安装插座 (镀镍-镀黑-镀金) 12M: Installation from front of panel socket (Nickel plated-black chrome plated-gold plated)</p>	<p>外壳材质: 铜合金 Shell Material: Copper alloy</p> <p>接触件可由用户定制PCB插针 Contact can be custom made PCB pin</p>		
		3	12M-(3)ZJQ
		4	12M-(4)ZJQ
		5	12M-(5)ZJQ
		6	12M-(6)ZJQ
		7	12M-(7)ZJQ
		<p>12M: 板前安装法兰公座 (镀镍-镀黑-镀金) 12M: Installation from front of panel circular flange male socket (Nickel plated-black chrome plated-gold plated)</p>	<p>接触件可由用户定制PCB插针 Contact can be custom made PCB pin</p> <p>外壳材质: 锌合金 Shell Material: Zinc alloy</p>
3	12M-(3)ZJ		
4	12M-(4)ZJ		
5	12M-(5)ZJ		
6	12M-(6)ZJ		
7	12M-(7)ZJ		
<p>12M: 板后安装-90度 (弯针) 12M: After board installation - 90 degrees (bent needle)</p>	<p>接触件可由用户定制PCB插针 Contact can be custom made PCB pin</p> <p>外壳材质: 锌合金 Shell Material: Zinc alloy</p>		
		3	12M-(3)ZJ
		4	12M-(4)ZJ
		5	12M-(5)ZJ
		6	12M-(6)ZJ
		7	12M-(7)ZJ

GX12M(RS765)

芯数总览及参数特性表

Contact arrangement and specification

芯数 Number of contact	2	3	4	5	6	7		
插座焊接面示意图 Insert arrangement (座装针)								
接触件直径 Contact diameter	φ1.2	φ1.2	φ1.2	φ1.2	φ1.2	φ1.2		
额定电流A Rated current(A)	5	5	5	5	5	5		
工作电压 (AC,V) Rated voltage(AC,V)	200	125	125	125	125	125		
耐压 (AC,V) 1min Test voltage(AC,V)1min	1500	1500	1500	1500	1500	1500		
接触电阻 (mΩ) Contact resistance	5	5	5	5	5	5		
绝缘阻抗 (mΩ) Insulation resistance	2000	2000	2000	2000	2000	2000		
接线孔口径 Diameter	φ0.8	φ0.8	φ0.8	φ0.8	φ0.8	φ0.8		

GX16M

产品展示图
Product Display

产品外形尺寸示意图
Dimensions

产品芯数
Number of contact

本公司型号
Model

<p>GX16M: 直式母插头 (镀镍-镀黑-镀金) GX16M: Straight female plug (Nickel plated-black chrome plated-gold plated)</p>	<p>外壳材质: 锌合金 Shell Material: Zinc alloy</p> <p>尾部过线直径 Termination diameter ≤7.5</p>	2	16M-(2)T
		3	16M-(3)T
		4	16M-(4)T
		5	16M-(5)T
		6	16M-(6)T
		7	16M-(7)T
		8	16M-(8)T
		9	16M-(9)T
		10	16M-(10)T
		<p>GX16M: 直角90度母插头 GX16M: Right angle 90 degree female connector</p>	<p>外壳材质: 铜合金 Shell Material: Copper alloy</p> <p>尾部过线直径 Termination diameter ≤7.5</p>
3	16M-(3)ZJU		
4	16M-(4)ZJU		
5	16M-(5)ZJU		
6	16M-(6)ZJU		
7	16M-(7)ZJU		
8	16M-(8)ZJU		
9	16M-(9)ZJU		
10	16M-(10)ZJU		
<p>GX16M: 板前安装四方法兰插座 (镀镍-镀黑-镀金) GX16M: Installation from front of panel square flange socket (Nickel plated-black chrome plated-gold plated)</p>	<p>外壳材质: 铜合金 Shell Material: Copper alloy</p> <p>接触件可由用户定制PCB插针 Contact can be custom made PCB pin</p>		
		3	16M-(3)ZJU
		4	16M-(4)ZJU
		5	16M-(5)ZJU
		6	16M-(6)ZJU
		7	16M-(7)ZJU
		8	16M-(8)ZJU
		9	16M-(9)ZJU
		10	16M-(10)ZJU
		<p>GX16M: 双切面板前安装插座 (镀镍-镀黑-镀金) GX16M: Installation from front of panel double section socket (Nickel plated-black chrome plated-gold plated)</p>	<p>外壳材质: 铜合金 Shell Material: Copper alloy</p> <p>接触件可由用户定制PCB插针 Contact can be custom made PCB pin</p>
3	16M-(3)ZJQ		
4	16M-(4)ZJQ		
5	16M-(5)ZJQ		
6	16M-(6)ZJQ		
7	16M-(7)ZJQ		
8	16M-(8)ZJQ		
9	16M-(9)ZJQ		
10	16M-(10)ZJQ		
<p>GX16M: 单切面板后安装插座 (镀镍-镀黑-镀金) GX16M: Installation from rear of panel single section socket (Nickel plated-black chrome plated-gold plated)</p>	<p>外壳材质: 锌合金 Shell Material: Zinc alloy</p> <p>接触件可由用户定制PCB插针 Contact can be custom made PCB pin</p>		
		3	16M-(3)ZHJDQ
		4	16M-(4)ZHJDQ
		5	16M-(5)ZHJDQ
		6	16M-(6)ZHJDQ
		7	16M-(7)ZHJDQ
		8	16M-(8)ZHJDQ
		9	16M-(9)ZHJDQ
		10	16M-(10)ZHJDQ


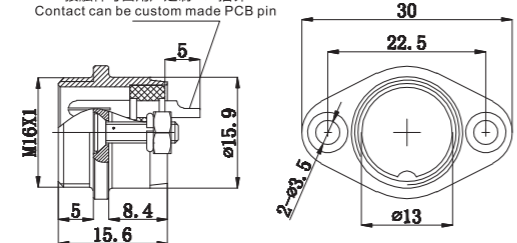

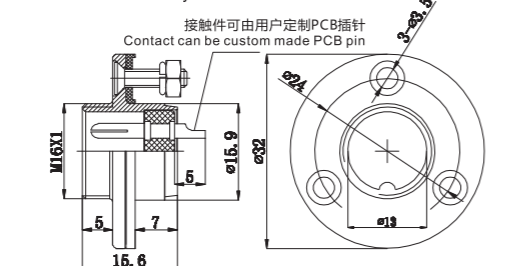

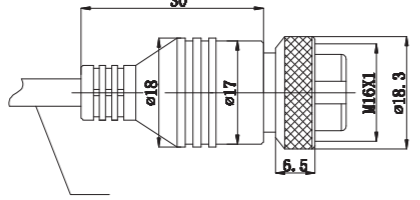

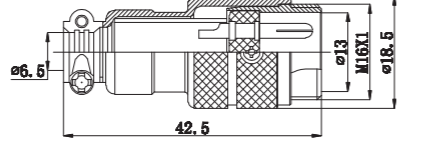

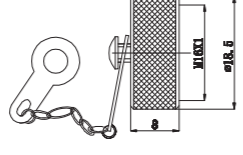
GX16M

产品展示图
Product Display

产品外形尺寸示意图
Dimensions

产品芯数
Number of contact

本公司型号
Model

 <p>GX16M: 板前安装而眼法兰插座 (镀镍-镀黑-镀金) GX16M: Installation from front of panel 2-hole flange socket (Nickel plated-black chrome plated-gold plated)</p>	<p>外壳材质: 锌合金 Shell Material: Zinc alloy</p> <p>接触件可由用户定制PCB插针 Contact can be custom made PCB pin</p> 	2	16M-(2)ZJR
 <p>GX16M: 板前安装三眼法兰公座 (镀镍-镀黑-镀金) GX16M: Installation from front panel 3-hole flange socket (Nickel plated-black chrome plated-gold plated)</p>	<p>外壳材质: 锌合金 Shell Material: Zinc alloy</p> <p>接触件可由用户定制PCB插针 Contact can be custom made PCB pin</p> 	3	16M-(3)ZJR
 <p>GX16M: 免接线直式公插头 (包塑) GX16M: Straight plug with cable (Plastic injection)</p>	<p>外壳材质: 锌合金 Shell Material: Zinc alloy</p>  <p>电线直径、长度可由用户定制 Wire diameter, the length can be customized</p>	4	16M-D-(4)T
 <p>GX16M: 对接直式公插头 (镀镍-镀黑-镀金) GX16M: Straight male cable plug (Nickel plated-black chrome plated-gold plated)</p>	<p>外壳材质: 锌合金 Shell Material: Zinc alloy</p> <p>尾部过线直径 Termination diameter ≤7.5</p> 	5	16M-D-(5)T
 <p>GX16M: 插座金属防尘盖 (镀镍) GX16M: Metal dust proof cover used for socket (Nickel plated)</p>		<p>需要防尘盖请与业务联系 If dust proof cover is needed, please contact us.</p>	


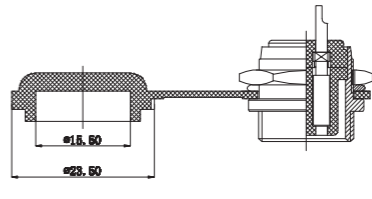
GX16M

产品展示图
Product Display

产品外形尺寸示意图
Dimensions

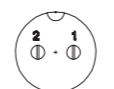

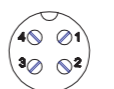
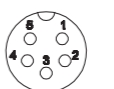


产品芯数
Number of contact

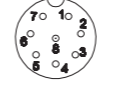
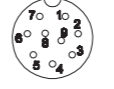
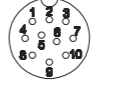
本公司型号
Model

 <p>GX16M: 橡胶防尘盖 GX16M: Rubber dust proof cover</p>		<p>需要防尘盖请与业务联系 If dust proof cover is needed, please contact us.</p>	
--	---	--	--

芯数总览及参数特性表

Contact arrangement and specification

芯数 Number of contact	2	3	4	5	6	7		
插座焊面示意图 Insert arrangement (座装针)								
接触件直径 Contact diameter	φ2.5	φ2.5	φ2.5	φ2.0	φ1.2	φ1.2		
额定电流A Rated current(A)	7	7	7	7	5	5		
工作电压 (AC,V) Rated voltage(AC,V)	220	220	125	125	125	125		
耐压 (AC,V) 1min Test voltage(AC,V)1min	1500	1500	1500	1500	1500	1500		
接触电阻 (mΩ) Contact resistance	3	3	3	4	5	5		
绝缘阻抗 (mΩ) Insulation resistance	2000	2000	2000	2000	2000	2000		
接线孔口径 Diameter	φ1.4	φ1.4	φ1.4	φ1.2	φ0.8	φ0.8		

芯数 Number of contact	8	9	10					
插座焊面示意图 Insert arrangement (座装针)								
接触件直径 Contact diameter	φ1.2	φ1.2	φ1.2					
额定电流A Rated current(A)	5	5	5					
工作电压 (AC,V) Rated voltage(AC,V)	125	125	125					
耐压 (AC,V) 1min Test voltage(AC,V)1min	1500	1500	1500					
接触电阻 (mΩ) Contact resistance	5	5	5					
绝缘阻抗 (mΩ) Insulation resistance	2000	2000	2000					
接线孔口径 Diameter	φ0.8	φ0.8	φ0.8					

GX16MF

产品展示图
Product Display

产品外形尺寸示意图
Dimensions

产品芯数
Number of contact

本公司型号
Model

<p>GX16MF: 反装直式公插头 (镀镍-镀黑-镀金) GX16MF: Anti-loaded straight male plug (Nickel plated-black chrome plated-gold plated)</p>	<p>外壳材质: 铜合金 Shell Material: Copper alloy</p>	尾部过线直径 Termination diameter	≤7.5	2	16MF-(2)TF
		3	16MF-(3)TF		
		4	16MF-(4)TF		
		5	16MF-(5)TF		
		6	16MF-(6)TF		
		7	16MF-(7)TF		
		8	16MF-(8)TF		
		<p>GX16MF: 反装直式公插头连接套 (镀镍-镀黑-镀金) GX16MF: Anti-loaded male plug (Nickel plated-black chrome plated-gold plated)</p>	<p>外壳材质: 铜合金 Shell Material: Copper alloy</p>	2	16MF-(2)TFD
3	16MF-(3)TFD				
4	16MF-(4)TFD				
5	16MF-(5)TFD				
6	16MF-(6)TFD				
7	16MF-(7)TFD				
8	16MF-(8)TFD				
<p>GX16MF: 反装免接线直式公插头 (包塑) GX16MF: Anti-loaded straight plug with cable (Overmold)</p>	<p>外壳材质: 铜合金 Shell Material: Copper alloy</p> <p>电线直径、长度可由用户定制 Wire diameter, the length can be customized</p>			2	16MF-(2)TFD-2
		3	16MF-(3)TFD-2		
		4	16MF-(4)TFD-2		
		5	16MF-(5)TFD-2		
		6	16MF-(6)TFD-2		
		7	16MF-(7)TFD-2		
		8	16MF-(8)TFD-2		
		<p>GX16MF: 反装免接线90°公插头 (包塑) GX16MF: Anti-loaded right angel male plug with cable (Overmold)</p>	<p>外壳材质: 铜合金 Shell Material: Copper alloy</p> <p>电线直径、长度可由用户定制 Wire diameter, the length can be customized</p>	2	16MF-D-(2)TDF
3	16MF-D-(3)TDF				
4	16MF-D-(4)TDF				
5	16MF-D-(5)TDF				
6	16MF-D-(6)TDF				
7	16MF-D-(7)TDF				
8	16MF-D-(8)TDF				

GX16MF

产品展示图
Product Display

产品外形尺寸示意图
Dimensions

产品芯数
Number of contact

本公司型号
Model

<p>GX16MF: 反装双切面板前安装母座 (镀镍-镀黑-镀金) GX16MF: Installation from front of panel anti-loaded double section socket (Nickel plated-black chrome plated-gold plated)</p>	<p>外壳材质: 铜合金 Shell Material: Copper alloy</p> <p>接触件可由用户定制PCB插针 Contact can be custom made PCB pin</p>	2	16MF-(2)ZKQ
		3	16MF-(3)ZKQ
		4	16MF-(4)ZKQ
		5	16MF-(5)ZKQ
		6	16MF-(6)ZKQ
		7	16MF-(7)ZKQ
		8	16MF-(8)ZKQ
		<p>GX16MF: 免接线反装单切面板前安装母座 (镀镍-镀黑-镀金) GX16MF: installation from front of panel anti-loaded single section socket with cable (Nickel plated-black chrome plated-gold plated)</p>	<p>外壳材质: 铜合金 Shell Material: Copper alloy</p> <p>接触件可由用户定制PCB插针 Contact can be custom made PCB pin</p>
3	16MF-D-(3)ZKDQ		
4	16MF-D-(4)ZKDQ		
5	16MF-D-(5)ZKDQ		
6	16MF-D-(6)ZKDQ		
7	16MF-D-(7)ZKDQ		
8	16MF-D-(8)ZKDQ		
<p>GX16MF: 反装单切面板前安装母座 (镀镍-镀黑-镀金) GX16MF: Installation from front of panel anti-loaded single section socket (Nickel plated-black chrome plated-gold plated)</p>	<p>外壳材质: 铜合金 Shell Material: Copper alloy</p> <p>接触件可由用户定制PCB插针 Contact can be custom made PCB pin</p>		
		3	16MF-(3)ZKDQ
		4	16MF-(4)ZKDQ
		5	16MF-(5)ZKDQ
		6	16MF-(6)ZKDQ
		7	16MF-(7)ZKDQ
		8	16MF-(8)ZKDQ

芯数总览及参数特性表

Contact arrangement and specification

芯数 Number of contact	2	3	4	5	6	7	8	
插座焊接面示意图 Insert arrangement (座装孔)								
接触件直径 Contact diameter	φ1.6	φ1.6	φ1.6	φ1.6	φ1.0	φ1.0	φ1.0	
额定电流(A) Rated current(A)	10	10	10	10	5	5	5	
工作电压 (AC,V) Rated voltage(AC,V)	250	250	200	200	180	125	125	
耐压 (AC,V) 1min Test voltage(AC,V)1min	1000	1000	1000	1000	1000	1000	1000	
接触电阻 (mΩ) Contact resistance	3	3	3	3	5	5	5	
绝缘阻抗 (mΩ) Insulation resistance	2000	2000	2000	2000	2000	2000	2000	
接线孔口径 Diameter	φ1.4	φ1.4	φ1.4	φ1.2	φ0.8	φ0.8	φ0.8	

GX19M

产品展示图
Product Display

产品外形尺寸示意图
Dimensions

产品芯数
Number of contact

本公司型号
Model

<p>GX19M: 直式母插头 (镀镍-镀黑-镀金) GX19M: Straight female plug (Nickel plated-black chrome plated-gold plated)</p>	<p>外壳材质: 锌合金 Shell Material: Zinc alloy</p> <p>尾部过线直径 Termination diameter ≤ 9.5</p>	2	19M-(2)T
		3	19M-(3)T
		4	19M-(4)T
		5	19M-(5)T
		6	19M-(6)T
		7	19M-(7)T
		8	19M-(8)T
		9	19M-(9)T
		10	19M-(10)T
		12	19M-(12)T
<p>GX19M: 直式对接公插头 (镀镍) GX19M: Straight male cable plug (Nickel plated)</p>	<p>外壳材质: 锌合金 Shell Material: Zinc alloy</p> <p>尾部过线直径 Termination diameter ≤ 9.5</p>	2	19M-(2)TA
		3	19M-(3)TA
		4	19M-(4)TA
		5	19M-(5)TA
		6	19M-(6)TA
		7	19M-(7)TA
		8	19M-(8)TA
		9	19M-(9)TA
		10	19M-(10)TA
		12	19M-(12)TA
<p>GX19M: 双切面板前安装公座 (镀镍) GX19M: Installation from front of panel double section socket (Nickel plated)</p>	<p>外壳材质: 锌合金 Shell Material: Zinc alloy</p> <p>接触件可由用户定制PCB插针 Contact can be custom made PCB pin</p>	2	19M-(2)ZJQ
		3	19M-(3)ZJQ
		4	19M-(4)ZJQ
		5	19M-(5)ZJQ
		6	19M-(6)ZJQ
		7	19M-(7)ZJQ
		8	19M-(8)ZJQ
		9	19M-(9)ZJC
		10	19M-(10)ZJQ
		12	19M-(12)ZJQ
<p>GX19M: 板前安装三眼法兰公座 (镀镍) GX19M: Installation from front of panel 3-hole flange male socket (Nickel plated)</p>	<p>外壳材质: 锌合金 Shell Material: Zinc alloy</p> <p>接触件可由用户定制PCB插针 Contact can be custom made PCB pin</p>	2	19M-(2)ZJC
		3	19M-(3)ZJC
		4	19M-(4)ZJC
		5	19M-(5)ZJC
		6	19M-(6)ZJC
		7	19M-(7)ZJC
		8	19M-(8)ZJC
		9	19M-(9)ZJC
		10	19M-(10)ZJC
		11	19M-(11)ZJC
12	19M-(12)ZJC		

GX19M

芯数总览及参数特性表

Contact arrangement and specification

芯数 Number of contact	2	3	4	5	6	7		
插座焊接面示意图 Insert arrangement (座装针)								
接触件直径 Contact diameter	$\phi 3.0$	$\phi 3.0$	$\phi 3.0$	$\phi 3.0$	$\phi 2.0$	$\phi 2.0$		
额定电流A Rated current(A)	10	7	7	7	5	5		
工作电压 (AC,V) Rated voltage(AC,V)	250	250	200	200	200	200		
耐压 (AC,V) 1min Test voltage(AC,V)1min	1500	1500	1500	1000	1000	1000		
接触电阻 (m Ω) Contact resistance	1	1	1	1.5	5	5		
绝缘阻抗 (m Ω) Insulation resistance	2000	2000	2000	2000	2000	2000		
接线孔口径 Diameter	$\phi 2.0$	$\phi 2.0$	$\phi 2.0$	$\phi 1.2$	$\phi 0.8$	$\phi 0.8$		

芯数 Number of contact	8	9	10	12	14	15
插座焊接面示意图 Insert arrangement (座装针)						
接触件直径 Contact diameter	$\phi 1.5$	$\phi 1.5$	$\phi 1.5$	$\phi 1.5$	$\phi 1.5$	$\phi 1.5$
额定电流A Rated current(A)	5	5	5	5	5	5
工作电压 (AC,V) Rated voltage(AC,V)	200	200	200	200	200	200
耐压 (AC,V) 1min Test voltage(AC,V)1min	1000	1000	1000	1000	1000	1000
接触电阻 (m Ω) Contact resistance	5	5	5	5	5	5
绝缘阻抗 (m Ω) Insulation resistance	2000	2000	2000	2000	2000	2000
接线孔口径 Diameter	$\phi 0.8$	$\phi 0.8$	$\phi 0.8$	$\phi 0.8$	$\phi 0.8$	$\phi 0.8$

GX19MF

产品展示图
Product Display

产品外形尺寸示意图
Dimensions

产品芯数
Number of contact

本公司型号
Model

<p>GX19M: 直式母插头 (镀镍-镀黑-镀金) GX19M: Straight female plug (Nickel plated-black chrome plated-gold plated)</p>	<p>外壳材质: 锌合金 Shell Material: Zinc alloy</p> <p>尾部过线直径 Termination diameter ≤ 9.5</p>	10	19M-(10)T

GX25M

产品展示图
Product Display

产品外形尺寸示意图
Dimensions

产品芯数
Number of contact

本公司型号
Model

<p>GX25M: 直式母插头 (镀铬) GX25M: Straight female plug (Chrome plated)</p>	<p>外壳材质: 锌合金 Shell Material: Zinc alloy</p> <p>尾部过线直径 Termination diameter ≤ 11.5</p>	2	25M-(2)T
		3	25M-(3)T
<p>GX25M: 板前安装三眼法兰插座 (镀铬) GX25M: Installation from front of panel 3-hole flange socket (Chrome plated)</p>	<p>外壳材质: 锌合金 Shell Material: Zinc alloy</p> <p>接触件可由用户定制PCB插针 Contact can be custom made PCB pin</p>	4	25M-(4)T
		5	25M-(5)T
		6	25M-(6)T
		7	25M-(7)T
		8	25M-(8)T
		10	25M-(10)T
		12	25M-(12)T
		2	25M-(2)ZJC
		3	25M-(3)ZJC
		4	25M-(4)ZJC
		5	25M-(5)ZJC
		6	25M-(6)ZJC
7	25M-(7)ZJC		
8	25M-(8)ZJC		
10	25M-(10)ZJC		
12	25M-(12)ZJC		

芯数总览及参数特性表

Contact arrangement and specification

芯数 Number of contact	10	芯数 Number of contact	10
插座焊接面示意图 Insert arrangement (母头装孔)		插座焊接面示意图 Insert arrangement (座装针)	
接触件直径 Contact diameter	$\phi 1.5/3.0$	接触件直径 Contact diameter	$\phi 1.5/3.0$
额定电流A Rated current(A)	5A	额定电流A Rated current(A)	5A
工作电压 (AC,V) Rated voltage(AC,V)	200	工作电压 (AC,V) Rated voltage(AC,V)	200
耐压 (AC,V) 1min Test voltage(AC,V)1min	1000	耐压 (AC,V) 1min Test voltage(AC,V)1min	1000
接触电阻 (m Ω) Contact resistance	3	接触电阻 (m Ω) Contact resistance	3
绝缘阻抗 (m Ω) Insulation resistance	1000	绝缘阻抗 (m Ω) Insulation resistance	1000
接线孔口径 Diameter		接线孔口径 Diameter	

芯数总览及参数特性表

Contact arrangement and specification

芯数 Number of contact	2	3	4	5	6	7	8	12
插座焊接面示意图 Insert arrangement (座装针)								
接触件直径 Contact diameter	$\phi 3.5$	$\phi 3.5$	$\phi 3.5$	$\phi 3.5$	$\phi 3.5$	$\phi 3.5$	$\phi 2.0$	$\phi 1.5$
额定电流A Rated current(A)	20	20	15	15	12	12	7	5
工作电压 (AC,V) Rated voltage(AC,V)	300	300	250	250	250	250	250	150
耐压 (AC,V) 1min Test voltage(AC,V)1min	2000	2000	2000	1500	1500	1500	1500	1500
接触电阻 (m Ω) Contact resistance	1	1	1	1	1	1	3	3
绝缘阻抗 (m Ω) Insulation resistance	2000	2000	2000	2000	2000	2000	2000	2000
接线孔口径 Diameter	$\phi 2.4$	$\phi 2.4$	$\phi 2.4$	$\phi 2.4$	$\phi 2.4$	$\phi 2.4$	$\phi 1.6$	$\phi 1.3$

GX30M

产品展示图
Product Display

产品外形尺寸示意图
Dimensions

产品芯数
Number of contact

本公司型号
Model

<p>GX30M: 直式母插头 (镀铬) GX30M: Straight female plug (Chrome plated)</p>	<p>外壳材质: 锌合金 Shell Material: Zinc alloy</p> <p>尾部过线直径 Termination diameter ≤ 13.5</p>	2	30M-(2)T		
		3	30M-(3)T		
		4	30M-(4)T		
		5	30M-(5)T		
		6	30M-(6)T		
		7	30M-(7)T		
		8	30M-(8)T		
		10	30M-(10)T		
		<p>GX30M: 板前安装三眼法兰插座 (镀铬) GX30M: Installation from front of panel 3-hole flange socket (Chrome plated)</p>	<p>外壳材质: 锌合金 Shell Material: Zinc alloy</p> <p>接触件可由用户定制PCB插针 Contact can be custom made PCB pin</p>	2	30M-(2)ZJC
				3	30M-(3)ZJC
4	30M-(4)ZJC				
5	30M-(5)ZJC				
6	30M-(6)ZJC				
7	30M-(7)ZJC				
8	30M-(8)ZJC				
10	30M-(10)ZJC				

芯数总览及参数特性表

Contact arrangement and specification

芯数 Number of contact	2	3	4	5	6	7	8	10
插座焊接面示意图 Insert arrangement (座装针)								
接触件直径 Contact diameter	$\phi 3.5$	$\phi 3.5$	$\phi 3.5$	$\phi 3.5$	$\phi 3.5$	$\phi 3.5$	$\phi 3.0$	$\phi 2.5$
额定电流(A) Rated current(A)	20	20	20	15	15	15	10	7
工作电压 (AC,V) Rated voltage(AC,V)	500	500	500	400	400	400	250	250
耐压 (AC,V) 1min Test voltage(AC,V)1min	1500	1500	1500	1000	1000	1000	1000	1000
接触电阻 (m Ω) Contact resistance	5	5	5	5	5	5	5	5
绝缘阻抗 (m Ω) Insulation resistance	2000	2000	2000	2000	2000	2000	2000	2000
接线孔口径 Diameter	$\phi 0.5$	$\phi 0.5$	$\phi 0.5$	$\phi 0.5$	$\phi 0.5$	$\phi 0.5$	$\phi 0.5$	$\phi 0.5$

第八章 The eighth chapter

SM系列 SM series

产品展示 : Product Display



材料和技术参数 : Material and spec

接插方式 Coupling	自动卡扣连接 Bayonet	接线方式 Termination	焊接 Solder
外壳材料 The shell material	压铸锌合金电镀镍 Die-casting zinc with nickel plating	插接次数 Mating cycle	500次 500 cycles
绝缘体 Insulator material	耐高温PPS Heat resistant PPS	适应温度范围 Temperature range	-25°C~85°C
接触体材料 Contact material	铜镀金 Brass with gold plated	防护等级 IP protection class	IP67

DDK

产品展示图
Product Display

产品外形尺寸示意图
Dimensions

产品芯数
Number of contact

本公司型号
Model

<p>Sm3 : 金属直式插头 (镀镍) SM3 : Metal straight plug (Nickel plating)</p>	<p>外壳材质: 锌合金 Shell Material: Zinc alloy</p> <p>尾部过线直径 Termination diameter</p> <table border="1"> <tr> <td>大直径 Large diameter</td> <td>φ9.0-φ4.5</td> </tr> <tr> <td>小直径 Small diameter</td> <td>φ6.0-φ4.0</td> </tr> </table>	大直径 Large diameter	φ9.0-φ4.5	小直径 Small diameter	φ6.0-φ4.0	2	DDK-(2)T
		大直径 Large diameter	φ9.0-φ4.5				
小直径 Small diameter	φ6.0-φ4.0						
10	DDK-(10)T						
<p>SM3 : 方形插座 (镀镍) SM3 : Square socket (Nickel plating)</p>	<p>外壳材质: 锌合金 Shell Material: Zinc alloy</p> <p>接触件可由用户定制PCB插针 Contact can be custom made PCB pin</p>	2	DDK-(2)ZJU				
		10	DDK-(10)ZJU				
<p>SM3 : 金属弯式90度母插头 (镀镍) SM3 : Female metal plug with right angle (Nickel plating)</p>	<p>外壳材质: 锌合金 Shell Material: Zinc alloy</p> <p>尾部过线直径 Termination diameter</p> <table border="1"> <tr> <td>大直径 Large diameter</td> <td>φ9.0-φ4.5</td> </tr> <tr> <td>小直径 Small diameter</td> <td>φ6.0-φ4.0</td> </tr> </table>	大直径 Large diameter	φ9.0-φ4.5	小直径 Small diameter	φ6.0-φ4.0	2	DDK-(2)TDH
		大直径 Large diameter	φ9.0-φ4.5				
小直径 Small diameter	φ6.0-φ4.0						
10	DDK-(10)TDH						

芯数总览及参数特性表

Contact arrangement and specification

芯数 Number of contact	2	10					
插座焊接面示意图 Insert arrangement (座装针)							
接触件直径 Contact diameter	φ1.0	φ1.0					
额定电流(A) Rated current(A)	4	4					
工作电压 (AC,V) Rated voltage(AC,V)	200	200					
耐压 (AC,V) 1min Test voltage(AC,V)1min	1500	1000					
接触电阻 (mΩ) Contact resistance	12	12					
绝缘阻抗 (mΩ) Insulation resistance	2000	2000					
接线孔口径 Diameter	φ0.75	φ0.75					

第九章 The ninth Chapter

B系列 B series

产品展示 : Product Display



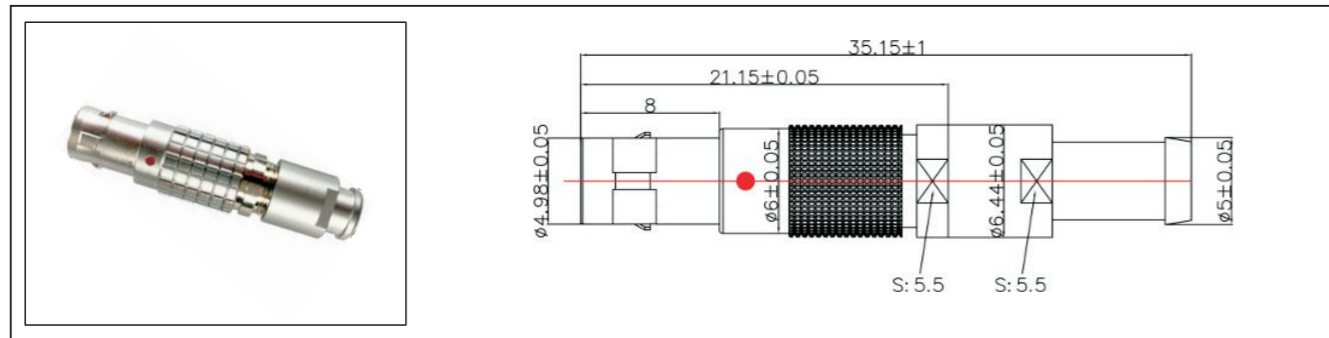
材料和技术参数 : Material and spec

接插方式 Coupling	螺纹连接 Threaded connections	接线方式 Termination	焊接 Solder
外壳材料 The shell material	铜合金 Copper alloy	插接次数 Mating cycle	1000次 1000Times
绝缘体 Insulator material	耐高温PPS Heat-resistant PPS	适应温度范围 Temperature range	-50°C~150°C
接触体材料 Contact material	铜合金/镀金 Brass with gold plating	防护等级 IP protection class	IP55

FGG-00B

产品展示图 Product Display

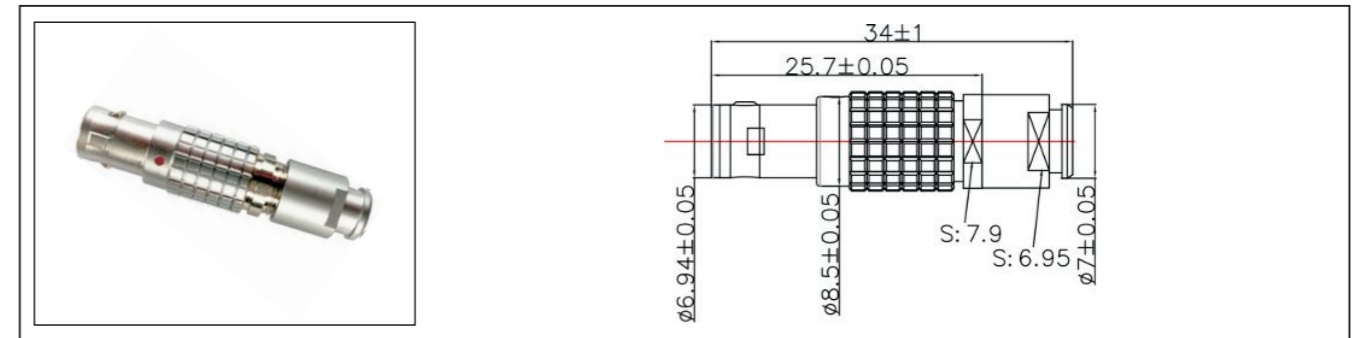
产品外形尺寸示意图 Dimensions



FGG-0B

产品展示图 Product Display

产品外形尺寸示意图 Dimensions



系列/series	302	303	304	
孔位排列 焊接面 Pin Number				
Contact DiaPIN/ 插大小/针芯直径	0.5	0.5	0.5	
(KW rms) / work 工作电压	针芯-针芯	1.00	0.80	0.80
	针芯-外壳	0.95	0.95	0.65
Rated Current/ 额定电流 (A)	5.0	3.0	2.0	

系列/series	302	303	304	305	306	307	309	
孔位排列 焊接面 Pin Number								
Contact DiaPIN/ 插大小/针芯直径	0.9	0.9	0.7	0.7	0.5	0.5	0.5	
(KW rms) / work 工作电压	针芯-针芯	1.30	1.20	0.85	1.0	0.85	0.80	0.60
	针芯-外壳	1.05	0.90	0.7	0.70	0.65	0.70	0.50
Rated Current/ 额定电流 (A)	10.0	8.0	7.0	6.5	2.5	2.5	2.0	

1	Mating (插拔次数)	1000次 1000Times
2	Working Temperature (温度)	-50°C~150°C
3	IP Rating (防护级别)	IP 55
4	R(MAX) (绝缘阻抗)	50 Ω
	Component (零件)	OTEXTURE (材质)
5	Plug Nut (插头螺帽)	GB 3604
6	Plug Wire Clip (插头线夹)	GB 3602
7	Plug Back Cover Hexagonal nut (插头后盖六角螺母)	GB 3604
8	Insulators clip (绝缘体夹片)	GB 3604
9	Core Insert (插芯)	磷铜/GB 3602
10	Insulator (绝缘体)	PPS/PEEK
11	Earthing Crown (弹性锁套)	磷铜/GB 3602
12	Display Port (插头外壳)	GB 3604

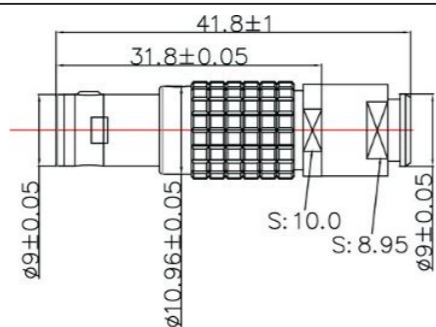
1	Mating (插拔次数)	1000次 1000Times
2	Working Temperature (温度)	-50°C~150°C
3	IP Rating (防护级别)	IP 55
4	R(MAX) (绝缘阻抗)	50 Ω
	Component (零件)	OTEXTURE (材质)
5	Plug Nut (插头螺帽)	GB 3604
6	Plug Wire Clip (插头线夹)	GB 3602
7	Plug Back Cover Hexagonal nut (插头后盖六角螺母)	GB 3604
8	Insulators clip (绝缘体夹片)	GB 3604
9	Core Insert (插芯)	磷铜/GB 3602
10	Insulator (绝缘体)	PPS/PEEK
11	Earthing Crown (弹性锁套)	磷铜/GB 3602
12	Display Port (插头外壳)	GB 3604

FGG-1B

产品展示图 Product Display



产品外形尺寸示意图 Dimensions



系列/series	302	303	304	305	306	307	308	310	314	316
孔位排列 焊接面 Pin Number										
Contact DiaPIN/ 插大小/针芯直径	1.3	1.3	0.9	0.9	0.7	0.7	0.7	0.5	0.5	0.5
(KW rms) / work 工作电压	针芯-针芯	1.50	1.30	1.35	1.25	1.05	0.95	0.95	0.80	0.80
	针芯-外壳	1.35	1.55	1.45	1.15	1.20	1.05	1.15	1.20	1.25
Rated Current/ 额定电流 (A)	15.0	12.0	10.0	9.0	7.0	7.0	5.0	2.5	2.0	1.5

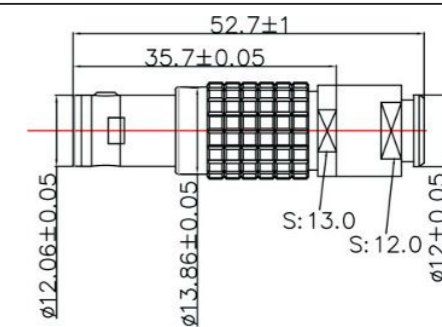
1	Mating (插拔次数)	1000次 1000Times
2	Working Temperature (温度)	-50°C~150°C
3	IP Rating (防护级别)	IP 55
4	R(MAX) (绝缘阻抗)	50 Ω
	Component (零件)	OTEXTURE (材质)
5	Plug Nut (插头螺帽)	GB 3604
6	Plug Wire Clip (插头线夹)	GB 3602
7	Plug Back Cover Hexagonal nut (插头后盖六角螺母)	GB 3604
8	Insulators clip (绝缘体夹片)	GB 3604
9	Core Insert (插芯)	磷铜/GB 3602
10	Insulator (绝缘体)	PPS/PEEK
11	Earthing Crown (弹性锁套)	磷铜/GB 3602
12	Display Port (插头外壳)	GB 3604

FGG-2B

产品展示图 Product Display



产品外形尺寸示意图 Dimensions



系列/series	302	303	304	305	306	307	308	310	312	314	316	318	319	326
孔位排列 焊接面 Pin Number														
Contact DiaPIN/ 插大小/针芯直径	2.0	1.6	1.3	1.3	1.3	1.3	0.9	0.9	0.7	0.7	0.7	0.7	0.7	0.5
(KW rms) / work 工作电压	针芯-针芯	2.10	2.40	1.85	1.75	1.35	1.75	1.5	1.45	1.25	1.15	0.95	0.85	0.95
	针芯-外壳	1.75	1.85	1.85	1.60	1.45	1.60	1.25	1.30	1.35	1.35	1.25	1.20	1.25
Rated Current/ 额定电流 (A)	30.0	17.0	15.0	14.0	12.0	11.0	10.0	8.0	7.0	6.5	6.0	5.5	5.0	2.0

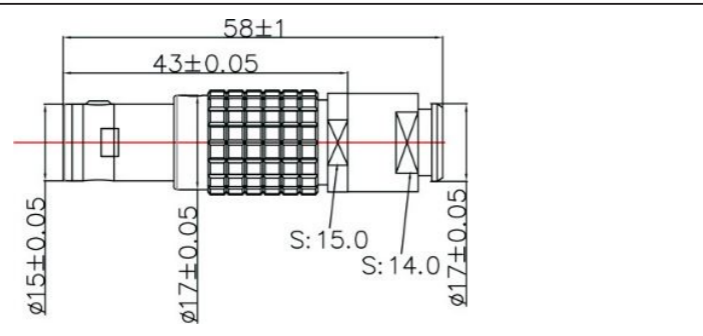
1	Mating (插拔次数)	1000次 1000Times
2	Working Temperature (温度)	-50°C~150°C
3	IP Rating (防护级别)	IP 55
4	R(MAX) (绝缘阻抗)	50 Ω
	Component (零件)	OTEXTURE (材质)
5	Plug Nut (插头螺帽)	GB 3604
6	Plug Wire Clip (插头线夹)	GB 3602
7	Plug Back Cover Hexagonal nut (插头后盖六角螺母)	GB 3604
8	Insulators clip (绝缘体夹片)	GB 3604
9	Core Insert (插芯)	磷铜/GB 3602
10	Insulator (绝缘体)	PPS/PEEK
11	Earthing Crown (弹性锁套)	磷铜/GB 3602
12	Display Port (插头外壳)	GB 3604

FGG-3B

产品展示图 Product Display



产品外形尺寸示意图 Dimensions



系列/series	302	303	304	305	306	307	308	309	
孔位排列 焊接面 Pin Number									
Contact Dia/PIN/ 插大小/针芯直径	3.0	2.0	2.0	1.6	1.6	1.6	1.3	1.3/2.0	
(KW rms) / work 工作电压	针芯-针芯	2.10	1.90	1.45	1.90	1.60	1.70	1.65	1.35
	针芯-外壳	1.55	1.50	1.25	1.25	1.15	1.25	1.15	1.50
Rated Current/ 额定电流 (A)	35.0	25.0	19.0	19	17	15	13	6.0/15.0	

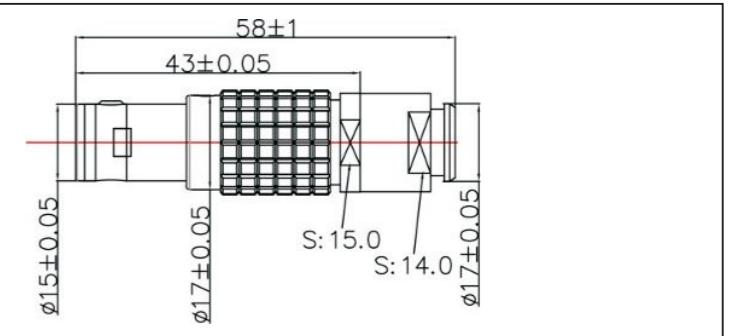
1	Mating (插拔次数)	1000次 1000Times
2	Working Temperature (温度)	-50°C~150°C
3	IP Rating (防护级别)	IP 55
4	R(MAX) (绝缘阻抗)	50 Ω
	Component (零件)	OTEXTURE (材质)
5	Plug Nut (插头螺帽)	GB 3604
6	Plug Wire Clip (插头线夹)	GB 3602
7	Plug Back Cover Hexagonal nut (插头后盖六角螺母)	GB 3604
8	Insulators clip (绝缘体夹片)	GB 3604
9	Core Insert (插芯)	磷铜/GB 3602
10	Insulator (绝缘体)	PPS/PEEK
11	Earthing Crown (弹性锁套)	磷铜/GB 3602
12	Display Port (插头外壳)	GB 3604

FGG-3B

产品展示图 Product Display



产品外形尺寸示意图 Dimensions



系列/series	310	312	314	316	318	320	322	324	326	
孔位排列 焊接面 Pin Number										
Contact Dia/PIN/ 插大小/针芯直径	1.3	0.9	0.9	0.9	0.9	0.7	0.7	0.7	0.7	
(KW rms) / work 工作电压	针芯-针芯	1.25	1.45	1.20	1.20	1.20	1.00	1.00	0.95	0.95
	针芯-外壳	0.90	1.00	1.20	0.85	1.05	0.90	0.90	0.80	0.70
Rated Current/ 额定电流 (A)	12.0	9.0	9.0	8.0	7.0	6.0	5.5	4.0	4.0	

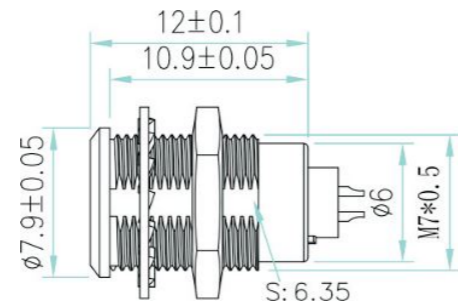
1	Mating (插拔次数)	1000次 1000Times
2	Working Temperature (温度)	-50°C~150°C
3	IP Rating (防护级别)	IP 55
4	R(MAX) (绝缘阻抗)	50 Ω
	Component (零件)	OTEXTURE (材质)
5	Plug Nut (插头螺帽)	GB 3604
6	Plug Wire Clip (插头线夹)	GB 3602
7	Plug Back Cover Hexagonal nut (插头后盖六角螺母)	GB 3604
8	Insulators clip (绝缘体夹片)	GB 3604
9	Core Insert (插芯)	磷铜/GB 3602
10	Insulator (绝缘体)	PPS/PEEK
11	Earthing Crown (弹性锁套)	磷铜/GB 3602
12	Display Port (插头外壳)	GB 3604

EGG-00B

产品展示图 Product Display



产品外形尺寸示意图 Dimensions



系列/series	302	303	304	
孔位排列 焊接面 Pin Number				
Contact DiaPIN/ 插大小/针芯直径	0.5	0.5	0.5	
(KW rms) / work 工作电压	针芯-针芯	1.00	0.80	0.80
	针芯-外壳	0.95	0.95	0.65
Rated Current/ 额定电流 (A)	5.0	3.0	2.0	

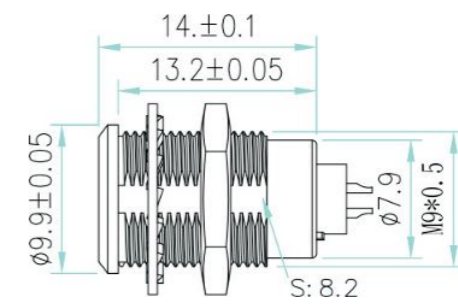
1	Mating (插拔次数)	1000次 1000Times
2	Working Temperature (温度)	-50°C~150°C
3	IP Rating (防护级别)	IP 55
4	R(MAX) (绝缘阻抗)	50 Ω
	Component (零件)	OTEXTURE (材质)
5	Fixed Ring (固定圈)	GB 3604
6	Hex Nut (六角螺母)	GB 3604
7	Core Insert (插芯)	磷铜/GB 3602
8	Insulator (绝缘体)	PPS/PEEK
9	Spacer (垫片)	GB 3604
10	Soeket Shell (绝缘体)	GB 3604

EGG-0B

产品展示图 Product Display



产品外形尺寸示意图 Dimensions



系列/series	302	303	304	305	306	307	309	
孔位排列 焊接面 Pin Number								
Contact DiaPIN/ 插大小/针芯直径	0.9	0.9	0.7	0.7	0.5	0.5	0.5	
(KW rms) / work 工作电压	针芯-针芯	1.30	1.20	0.85	1.0	0.85	0.80	0.60
	针芯-外壳	1.05	0.90	0.7	0.70	0.65	0.70	0.50
Rated Current/ 额定电流 (A)	10.0	8.0	7.0	6.5	2.5	2.5	2.0	

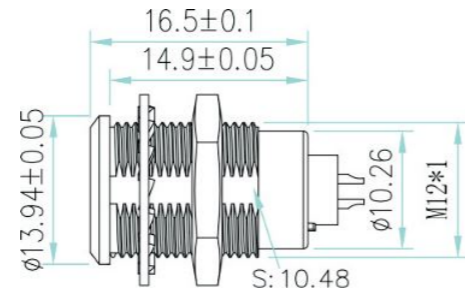
1	Mating (插拔次数)	1000次 1000Times
2	Working Temperature (温度)	-50°C~150°C
3	IP Rating (防护级别)	IP 55
4	R(MAX) (绝缘阻抗)	50 Ω
	Component (零件)	OTEXTURE (材质)
5	Fixed Ring (固定圈)	GB 3604
6	Hex Nut (六角螺母)	GB 3604
7	Core Insert (插芯)	磷铜/GB 3602
8	Insulator (绝缘体)	PPS/PEEK
9	Spacer (垫片)	GB 3604
10	Soeket Shell (绝缘体)	GB 3604

EGG-1B

产品展示图 Product Display



产品外形尺寸示意图 Dimensions



系列/series	302	303	304	305	306	307	308	310	314	316
孔位排列 焊接面 Pin Number										
Contact DiaPIN/ 插大小/针芯直径	1.3	1.3	0.9	0.9	0.7	0.7	0.7	0.5	0.5	0.5
(KW rms) / work 工作电压	针芯-针芯	1.50	1.30	1.35	1.25	1.05	0.95	0.95	0.90	0.80
	针芯-外壳	1.35	1.55	1.45	1.15	1.20	1.05	1.15	1.50	1.25
Rated Current/ 额定电流 (A)	15.0	12.0	10.0	9.0	7.0	7.0	5.0	2.5	2.0	1.5

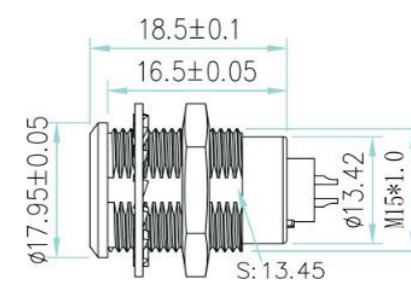
1	Mating (插拔次数)	1000次 1000Times
2	Working Temperature (温度)	-50°C~150°C
3	IP Rating (防护级别)	IP 55
4	R(MAX) (绝缘阻抗)	50 Ω
	Component (零件)	OTEXTURE (材质)
5	Fixed Ring (固定圈)	GB 3604
6	Hex Nut (六角螺母)	GB 3604
7	Core Insert (插芯)	磷铜/GB 3602
8	Insulator (绝缘体)	PPS/PEEK
9	Spacer (垫片)	GB 3604
10	Soeket Shell (绝缘体)	GB 3604

EGG-2B

产品展示图 Product Display



产品外形尺寸示意图 Dimensions



系列/series	302	303	304	305	306	307	308	310	312	314	316	318	319	326
孔位排列 焊接面 Pin Number														
Contact DiaPIN/ 插大小/针芯直径	2.0	1.6	1.3	1.3	1.3	1.3	0.9	0.9	0.7	0.7	0.7	0.7	0.7	0.5
(KW rms) / work 工作电压	针芯-针芯	2.10	2.40	1.85	1.75	1.35	1.75	1.5	1.45	1.25	1.15	0.95	0.85	0.95
	针芯-外壳	1.75	1.85	1.85	1.60	1.45	1.60	1.25	1.30	1.35	1.35	1.25	1.20	1.25
Rated Current/ 额定电流 (A)	30.0	17.0	15.0	14.0	12.0	11.0	10.0	8.0	7.0	6.5	6.0	5.5	5.0	2.0

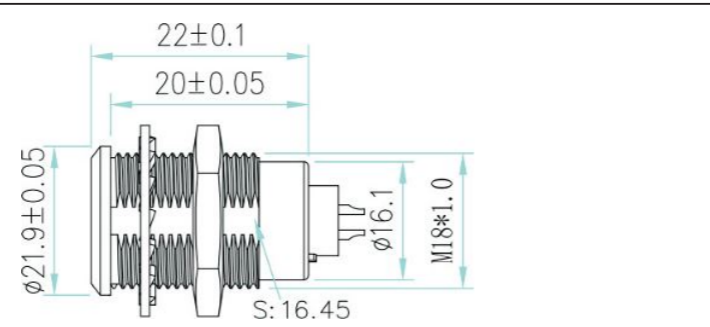
1	Mating (插拔次数)	1000次 1000Times
2	Working Temperature (温度)	-50°C~150°C
3	IP Rating (防护级别)	IP 55
4	R(MAX) (绝缘阻抗)	50 Ω
	Component (零件)	OTEXTURE (材质)
5	Fixed Ring (固定圈)	GB 3604
6	Hex Nut (六角螺母)	GB 3604
7	Core Insert (插芯)	磷铜/GB 3602
8	Insulator (绝缘体)	PPS/PEEK
9	Spacer (垫片)	GB 3604
10	Soeket Shell (绝缘体)	GB 3604

EGG-3B

产品展示图 Product Display



产品外形尺寸示意图 Dimensions



系列/series	302	303	304	305	306	307	308	309	
孔位排列 焊接面 Pin Number									
Contact DiaPIN/ 插大小/针芯直径	3.0	2.0	2.0	1.6	1.6	1.6	1.3	1.3/2.0	
(KW rms) / work 工作电压	针芯-针芯	2.10	1.90	1.45	1.90	1.60	1.70	1.65	1.35
	针芯-外壳	1.55	1.50	1.25	1.25	1.15	1.25	1.15	1.50
Rated Current/ 额定电流 (A)	35.0	25.0	19.0	19	17	15	13	6.0/15.0	

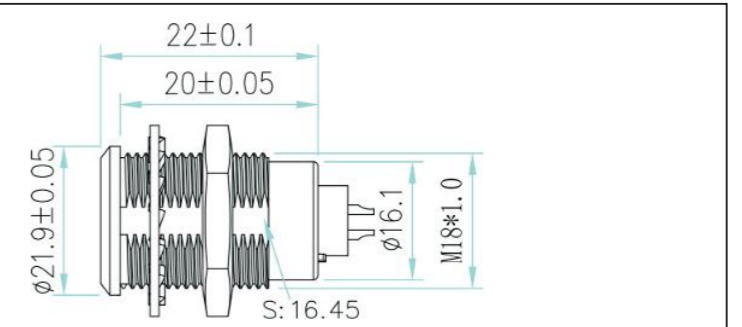
1	Mating (插拔次数)	1000次 1000Times
2	Working Temperature (温度)	-50°C~150°C
3	IP Rating (防护级别)	IP 55
4	R(MAX) (绝缘阻抗)	50 Ω
	Component (零件)	OTEXTURE (材质)
5	Fixed Ring (固定圈)	GB 3604
6	Hex Nut (六角螺母)	GB 3604
7	Core Insert (插芯)	磷铜/GB 3602
8	Insulator (绝缘体)	PPS/PEEK
9	Spacer (垫片)	GB 3604
10	Soeket Shell (绝缘体)	GB 3604

EGG-3B

产品展示图 Product Display



产品外形尺寸示意图 Dimensions



系列/series	310	312	314	316	318	320	322	324	326	
孔位排列 焊接面 Pin Number										
Contact DiaPIN/ 插大小/针芯直径	1.3	0.9	0.9	0.9	0.9	0.7	0.7	0.7	0.7	
(KW rms) / work 工作电压	针芯-针芯	1.25	1.45	1.20	1.20	1.20	1.00	1.00	0.95	0.95
	针芯-外壳	0.90	1.00	1.20	0.85	1.05	0.90	0.90	0.80	0.70
Rated Current/ 额定电流 (A)	12.0	9.0	9.0	8.0	7.0	6.0	5.5	4.0	4.0	

1	Mating (插拔次数)	1000次 1000Times
2	Working Temperature (温度)	-50°C~150°C
3	IP Rating (防护级别)	IP 55
4	R(MAX) (绝缘阻抗)	50 Ω
	Component (零件)	OTEXTURE (材质)
5	Fixed Ring (固定圈)	GB 3604
6	Hex Nut (六角螺母)	GB 3604
7	Core Insert (插芯)	磷铜/GB 3602
8	Insulator (绝缘体)	PPS/PEEK
9	Spacer (垫片)	GB 3604
10	Soeket Shell (绝缘体)	GB 3604

第十章 The ten chapter

MS系列 Ms series

产品展示 : Product Display



材料和技术参数 : Material and spec

接插方式 Coupling	螺纹锁紧 Threaded	接线方式 Termination	焊接 Solder
外壳材料 The shell material	压铸锌合金电镀/电镀铬 Zinc Nickel-plated/Chrome-plated 铜合金电镀/电镀铬 Brass Nickel-plated/Chrome-plated	插接次数 Mating cycle	500次 500 cycls
绝缘体 Insulator material	电木 Bakelite	适应温度范围 Temperature range	-25°C~85°C
接触体材料 Contact material	铜镀金 Brass with gold plated	防护等级 IP protection class	IP65

18-10

产品展示图
Product Display

产品外形尺寸示意图
Dimensions

产品芯数
Number of contact

本公司型号
Model

	外壳材质 : 锌合金 Shell Material: Zinc alloy		18-10(4)ZK
	外壳材质 : 锌合金 Shell Material: Zinc alloy		18-10(4)TF
	外壳材质 : 锌合金 Shell Material: Zinc alloy		18-10(4)TF

芯数总览及参数特性表

Contact arrangement and specification

芯数 Number of contact	18-10	18-11	18-12	18-13	18-14	18-15	18-16	18-22
插座焊接面示意图 Insert arrangement								
接触件直径 Contact diameter	φ 1.6	φ 2.4	φ 3.6	φ 5.7	φ 9.1			
额定电流A Rated current(A)	13	23	46	80	150			
工作导线规格 (A.W.G) Working Wire Specification (A.W.G)	22#~16#	14#~12#	10#~8#	6#~4#	2#~0#			
接触体插拔力 (kg) 最大 Contact body insertion force (kg) the largest	1.36	2.26	4.53	6.80	9.97			
接触体插拔力 (kg) 平均 Contact body insertion force (kg) average	0.95	1.58	3.17	4.76	6.35			
接触体插拔力 (kg) 最小 Contact body insertion force (kg) minimum	0.11	0.22	0.34	0.45	0.90			
接触代号 Contact code	16#	12#	8#	4#	0#			

22-22

产品展示图
Product Display

产品外形尺寸示意图
Dimensions

本公司型号
Model

	外壳材质：锌合金 Shell Material: Zinc alloy		22-22(4)ZK
	外壳材质：锌合金 Shell Material: Zinc alloy		22-22(4)TF
	外壳材质：锌合金 Shell Material: Zinc alloy		22-22(4)TF

芯数总览及参数特性表

Contact arrangement and specification

芯数 Number of contact	22-21	22-22	22-23	22-27	22-28	22-36		
插座焊接面示意图 Insert arrangement								
接触件直径 Contact diameter	φ1.6	φ2.4	φ3.6	φ5.7	φ9.1			
额定电流A Rated current(A)	13	23	46	80	150			
工作导线规格 (A.W.G) Working Wire Specification (A.W.G)	22#~16#	14#~12#	10#~8#	6#~4#	2#~0#			
接触体插拔力 (kg) 最大 Contact body insertion force (kg) the largest	1.36	2.26	4.53	6.80	9.97			
接触体插拔力 (kg) 平均 Contact body insertion force (kg) average	0.95	1.58	3.17	4.76	6.35			
接触体插拔力 (kg) 最小 Contact body insertion force (kg) minimum	0.11	0.22	0.34	0.45	0.90			
接触代号 Contact code	16#	12#	8#	4#	0#			

Y2M

产品展示图
Product Display

产品外形尺寸示意图
Dimensions

	外壳材质：锌合金 Shell Material: Zinc alloy	
	外壳材质：锌合金 Shell Material: Zinc alloy	

芯数总览及参数特性表

Contact arrangement and specification

芯数 Number of contact	2	3	4	5	6	7	8	9
插座焊接面示意图 Insert arrangement								
接触件直径 Contact diameter	φ1	φ1.5	φ2.5	φ3.5	φ5.5			
额定电流A Rated current(A)	5	10	25	50	100			
接触电阻 Contact resistance	6	4	1	0.5	0.3			

型号	安装尺寸				外型尺寸								
	A	D1	M左	T	B	H	D2	D3	D4	L1	L2	L3	L4
Y2M21	22-24	φ12	M21X0.75	φ3.5	31	51	φ31	φ22.7	41	92	82	65	47
Y2M28	28-32	φ18	M28X1	φ3.5	42	59	φ38	φ28.7	48	106	92	70	51
Y2M36	36-40	φ26	M36X1	φ3.5	50	68	φ46	φ36.7	56	123	112	81	62
Y2M50	48-52	φ40	M51X1	φ3.5	63		φ60	φ51.2		130	91	73	