



WATER ADAPTER  
CATALOGUE

鼎臣管接件型录 2023



我們的科技，  
爲了人類  
更舒適的生活。

OUR TECHNOLOGY  
IS AIMED AT A MORE  
COMFORTABLE LIFE  
FOR THE HUMAN





Water Science Life

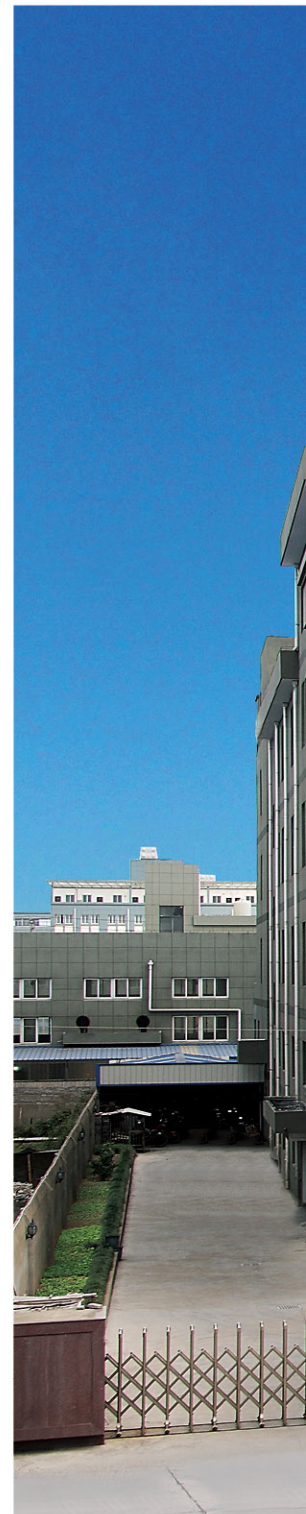




宁波市鼎臣环保科技有限公司成立于 2002 年 3 月，是中国国内早期品质稳定的生产插入式快速接头的工厂。工厂设计并制造了 1/4、5/16、3/8、1/2、6mm、8mm、10mm、12mm、15mm、20mm、22mm、25mm、32mm 规格的快速接头。二十多年来，我们以全面的创新能力提供品质完美无暇的产品，以此在行业内建立起新的标杆。我们持之以恒地不断增加自己的竞争力，这使得鼎臣成为可以提供更完善服务的合作伙伴。DCC 成功拓展了国际国内市场，是美国 WQA 成员，中国膜协会会员。2013 年 2 月通过 NSF-61 测试并取得了 WQA 金印认证；2008 年在欧洲取得了 WRAS 证书（证书号：0702086），DCC 同时在国内取得了疾控中心的检测报告，国内销售客户有美的、沁园、安吉尔、格力、立升、A.O. 史密斯、艾沃、东研国际等等。公司坚持“服务至诚，专业至精”这一原则，面向全球市场，从产品开发到产品生产及国际销售，鼎臣人充满激情致力于为客户提供创新的部件与开发服务，使得我们的客户快速经济地达到他们的目的，这是我们的驱动力。

Dingchen Water Adapter Manufactory, established in Mar., 2002, is the biggest and most professional manufactory which specialize in producing Quick Connectors in domestic. Up to now, the factory has designed and developed the Quick Connectors with size of 1/4", 5/16", 3/8", 1/2", 6mm, 8mm, 10mm, 12mm, 15mm, 20mm, 22mm, 25mm and 32mm. Since the establishment of our factory, the factory providing product with high quality through adopting comprehensive innovation ability. As a result, we have set up a new standard in the area. D.C.C. constantly strengthen own competitive power which enables the factory become the most ideal partner who can provide the best service. D.C.C., member of the WQA in America as well as the China Membrane Industrial Association, has successfully expanded vast market both in home and abroad. Products made by D.C.C. successfully passed the WQA Gold Seal Certificate under the NSF/ANSI-61 standard, and also obtained the certificate of WRAS (approval NO. 0702086) in Europe in 2008, as well as the test of Center for Disease Control and Prevention in China. Our domestic clients include Media, Angle, Qinyuan, Gree, Litree, A.O. Smith, IWO, DNC and so on.

Following the principle "Sincere Service, Top Profession", the factory actives in product development, manufacturing and international marketing. Facing to the global market, the D.C.C. develop their best to providing innovative units and development service with fully enthusiasm. In a word, letting our client achieve their goals in a economic and fast way is our driving force.







鼎臣·管接件

Dingchen Water Adapter Manufactory

D.C.C.







# 更人性化的 理念。

鼎臣在水处理快速接头领域不断取得成功，这与其严格完备的生产系统密不可分。鼎臣全力引进先进的专业制造设备，是国内制造设备最先进的水处理快速接头生产企业。精良全自动装配线的投入，能够确保鼎臣给客户更加稳定可靠、经济实惠、物超所值的产品。检测及实验中心的成立，使公司能够掌握全套检测原材料的有效方法，确保产品所用原材料质量的可靠性。

鼎臣建立完善的质量保证体系和质量许可体系。作为一个系统专家，现在我们所要掌握的技能比以往要更完善、全面，如此方可连续不断地提供新的解决方案。公司检测中心现拥有国内最先进的各类检测仪器数十台，完善的检测手段完全确保产品满足用户的高质量要求。鼎臣将产品的开发技术延伸到很多不同的领域，包括生产加工技术与原材料有关的技术。我们同样致力于将计算机控制和其它第一流的装置应用于每一条生产线，确保整个生产系统流水作业，低成本、高效率。事实上，鼎臣的生产团队正在竭尽全力“创造”质量，因为鼎臣坚信：生产不是简单的数量控制，而是质量的控制。



D.C.C. have continuous obtained success in the field of water quick connection which have the inseparable relationship with its rigorous and complete production system. D.C.C . introduced advanced equipments from home and abroad and quickly become the biggest domestic professional manufactory in produce quick connectors. The using of the exact automatic assembling line can ensure D.C.C. provides the more stable,economic and most valuable product to clients.The establishment of inspection and Testing Center, can let D.C.C. master the effective and overall method of testing raw materials,which can finnally ensure the quality of raw materail is reliable.

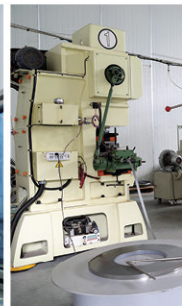
D.C.C. has set up a comprehensive quality assurance system and quality licence system. As a system expert, we have to master techniques more comprehensive and perfect than before in case to provide new solution acts continuously.The factory testing center equiped more than ten kinds of most advanced detecting instruments in China .The comprehensive testing method can totally guarantee to satisfy customers with high q uality requirement. D.C.C extends the product development technology into kinds of area including the processing technology and technology relates to the raw material. We also apply the computer control and other first class equipment to each product line. As a result, we can make sure the low cost and high efficient within the all product system.In fact, the product team in our factory is trying its best to creat quality and all of us hold the belief that in the process of manufacturing the controlling of the quality is much more important than the controlling of the quantity.





PAGE 08 09

DINGCHEN  
WATER  
ADAPTER  
CATALOGUE

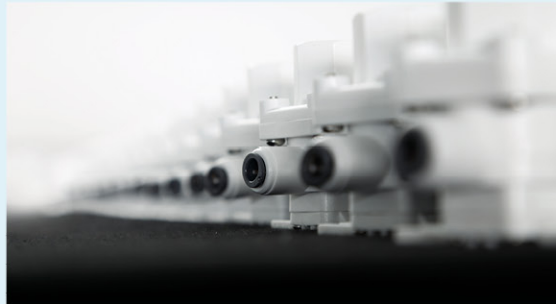






DCC 快速接头的设计、制造中，在塑胶材料的选用上 DCC 一如既往的选用进口的、高品质的、具有 NSF、FDA 认证的塑胶原料。在生产设备上，DCC 从国内外购买了先进的注塑机、超声波焊接机，并且自主研发了自动生产线和各类检测设备。为保证正常、高效的生产，DCC 每年在技术革新上投入很高比例的资金，建立健全生产、质量管理体系，从而保证了生产产品的品质。

In the design and manufacture of D.C.C. Quick Connector, D.C.C. always use the plastic raw material as imported, with high quality and with NSF, FDA certified. On the production equipment, D.C.C. purchased advanced injection machine and ultrasonic welding machine from domestic and abroad, and also researched and developed the automatic production lines as well as various kinds of testing equipment by itself. In order to ensure the normal and efficient production, D.C.C. invested a high proportion of funds on the technological renovation every year and established and improved the production quality system.



DINGCHEN  
WATER  
ADAPTER  
CATALOGUE  
PRODUCTION  
AND  
EQUIPMENT

PAGE 08 09







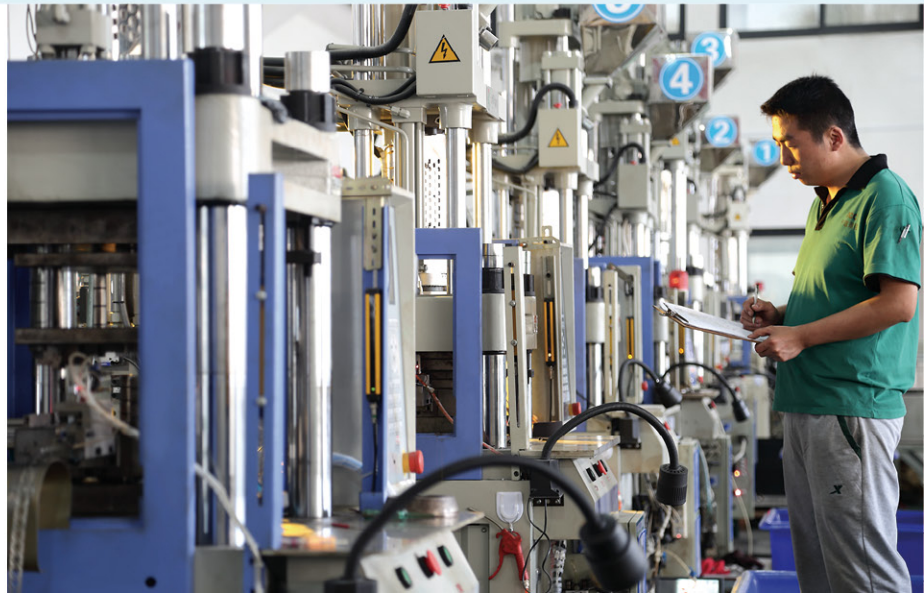
## PAGE 10 11

DINGCHEN  
WATER  
ADAPTER  
CATALOGUE  
PRODUCTION  
AND  
EQUIPMENT



设备是保证产品品质的关键，我们本着“工欲善其事，必先利其器”的观念，引进国内最先进的生产设备，让科技贯穿生产的始终。科学的管理使其严谨、有序的运用，充分利用其资源，实现效益最大化。

The equipment is the key to the assurance of the product quality. Under the concept of "always sharpen your tools before you start your work", we introduced a number of advanced equipment to make products scientifically in the all way of the production. The scientific management means a rigorous and orderly operation to make full use of resource and achieve the maximum benefits.







DCC 主营产品: 净水器快速接头、反渗透纯水机快速接头、管线机快速接头、中央净水器快速接头、软水机快速接头、管道式净水器快速接头、大中型水处理机用快速接头。

Key products: Purified Water Machine Quick Connector, Reverse Osmosis Water Treatment Machine Quick Connector, Line Machine Quick Connector, Central Purified Water Machine Quick Connector, Softening Water Machine Quick Connector, Pip-style Purified Water Machine Quick Connector, Large and Mid Size Water Treatment Machine Quick Connector.



**SGS RoHS**



DINGCHEN  
WATER  
ADAPTER  
CATALOGUE  
PRODUCTION  
AND  
EQUIPMENT



## 快速接头 QUICK FITTINGS SERIES 1/4 5/16 3/8 1/2



型号 Part No	快接 Tube O.D	快接 Tube O.D	快接 Tube O.D
PT040404	1/4	1/4	1/4
PT050505	5/16	5/16	5/16
PT060606	3/8	3/8	3/8
PT080808	1/2	1/2	1/2
PT040604	1/4	3/8	1/4
PT040606	1/4	3/8	3/8
PT040406	1/4	1/4	3/8
PT060406	3/8	1/4	3/8
PT040404-L	1/4	1/4	1/4



型号 Part No	快接 Tube O.D	快接 Tube O.D
PI0404	1/4	1/4
PI0505	5/16	5/16
PI0606	3/8	3/8
PI0808	1/2	1/2
PI0406	1/4	3/8
PI0405	1/4	5/16
PI0506	5/16	3/8
PI0608	3/8	1/2
PI0404-L	1/4	1/4



型号 Part No	快接 Tube O.D	快接 Tube O.D	螺纹 Thread
PTH040404	1/4	1/4	1/4
PTH060606	3/8	3/8	3/8
PTH040406	1/4	1/4	3/8
PTH040606	1/4	3/8	3/8
PTH060608	3/8	3/8	1/2
PTH060406	3/8	1/4	3/8
PTH040608	1/4	3/8	1/2



型号 Part No	快接 Tube O.D	快接 Tube O.D
PLN0404	1/4	1/4
PLN0505	5/16	5/16
PLN0606	3/8	3/8
PLN0808	1/2	1/2
PLN0406	1/4	3/8
PLN0405	1/4	5/16
PLN0506	5/16	3/8
PLN0608	3/8	1/2



型号 Part No	快接 Tube O.D	螺纹 Thread
PIN0402	1/4	1/8
PIN0404	1/4	1/4
PIN0406	1/4	3/8
PIN0408	1/4	1/2
PIN0410	1/4	3/4
PIN0504	5/16	1/4
PIN0506	5/16	3/8
PIN0604	3/8	1/4
PIN0606	3/8	3/8
PIN0608	3/8	1/2
PIN0610	3/8	3/4
PIN0806	1/2	3/8
PIN0808	1/2	1/2
PIN04-7/16	1/4	7/16-24
PIN04-7/16 短	1/4	7/16-24
PIN0510	5/16	3/4
PIN06-7/16	3/8	7/16
PIN0608-G	3/8	1/2G
PIN0808-G	1/2	1/2G



型号 Part No	快接 Tube O.D	螺纹 Thread
PLW0402	1/4	1/8
PLW0404	1/4	1/4
PLW0406	1/4	3/8
PLW0408	1/4	1/2
PLW0504	5/16	1/4
PLW0506	5/16	3/8
PLW0604	3/8	1/4
PLW0606	3/8	3/8
PLW0608	3/8	1/2
PLW0806	1/2	3/8
PLW0808	1/2	1/2
PLW0402-D	1/4	1/8
PLW0608-G	3/8	1/2G



型号 Part No	快接 Tube O.D	螺纹 Thread
PIW0402	1/4	1/8
PIW0404	1/4	1/4
PIW0406	1/4	3/8
PIW0408	1/4	1/2
PIW0410	1/4	3/4
PIW0504	5/16	1/4
PIW0506	5/16	3/8
PIW0604	3/8	1/4
PIW0606	3/8	3/8
PIW0608	3/8	1/2
PIW0806	1/2	3/8
PIW0808	1/2	1/2
PIW0402-D	1/4	1/8



型号 Part No	快接 Tube O.D	螺纹 Thread
PLN0402	1/4	1/8
PLN0404	1/4	1/4
PLN0406	1/4	3/8
PLN0504	5/16	1/4
PLN0506	5/16	3/8
PLN0606	3/8	3/8
PLN0608	3/8	1/2
PLN0806	1/2	3/8
PLN0808	1/2	1/2



型号 Part No	螺纹 Thread	快接 Tube O.D	螺纹 Thread
PTWW040404	1/4	1/4	1/4



型号 Part No	快接 Tube O.D	快接 Tube O.D	快接 Tube O.D
PY040404	1/4	1/4	1/4
PY060606	3/8	3/8	3/8
PY080808	1/2	1/2	1/2





## 快速接头 QUICK FITTINGS SERIES 1/4 5/16 3/8 1/2



型号 Part No	快接 Tube O.D	备注 Remark
PB0404-2	1/4	中心孔 55mm



型号 Part No	快接 Tube O.D	插栓 Stem O.D	快接 Tube O.D
PEC040404	1/4	1/4	1/4
PEC060606	3/8	3/8	3/8



型号 Part No	插栓 Stem O.D	快接 Tube O.D	快接 Tube O.D
PHC040404	1/4	1/4	1/4
PHC060606	3/8	3/8	3/8
PHC040406	3/8	1/4	1/4
PHC060406	3/8	1/4	1/4



型号 Part No	快接 Tube O.D	螺纹 Thread
PLWJ0404	1/4	1/4



型号 Part No	快接 Tube O.D	快接 Tube O.D	螺纹 Thread
PTE040404	1/4	1/4	1/4
PTE060606	3/8	3/8	3/8
PTE040608	1/4	3/8	1/2
PTE040606	1/4	3/8	3/8
PTE060608	3/8	3/8	1/2
PTE060406	3/8	3/8	1/4



型号 Part No	快接 Tube O.D	插栓 Stem O.D
PLC0404	1/4	1/4
PLC0606	3/8	3/8
PLC0404-D	1/4	1/4
PLC0604	3/8	1/4
PLC0406	1/4	3/8
PLC0406-D	1/4	3/8
PLC0606-C	3/8	3/8
PLC0606-D	3/8	3/8



型号 Part No	快接 Tube O.D	快接 Tube O.D	备注 Remark
PB0404	1/4	1/4	Ø16.5mm
PB0505	5/16	5/16	Ø18.0mm
PB0606	3/8	3/8	Ø21.0mm
PB0808	1/2	1/2	Ø26.0mm
PB0406	1/4	3/8	Ø21.0mm
PB0608	3/8	1/2	Ø26.0mm
PB0404 小	1/4	1/4	Ø15.5mm



型号 Part No	快接 Tube O.D	螺纹 Thread
PX0406	1/4	3/8
PX0606	3/8	3/8
PX0408	1/4	1/2
PX0608	3/8	1/2



型号 Part No	螺纹 Thread	插栓 Stem O.D
PIWC0404	1/4	1/4



型号 Part No	快接 Tube O.D	插栓 Stem O.D
PKC0404	1/4	1/4
PKC0606	3/8	3/8
PKC0406	1/4	3/8





## 快速接头 QUICK FITTINGS SERIES 6/8/10/12/15/22mm



型号 Part No	快接 Tube O.D	快接 Tube O.D	快接 Tube O.D
PT030303	6mm	6mm	6mm
PT101010	10mm	10mm	10mm
PT121212	12mm	12mm	12mm
PT151515	15mm	15mm	15mm
PT222222	22mm	22mm	22mm
PT151010	15mm	10mm	10mm
PT221022	22mm	10mm	22mm
PT221522	22mm	15mm	22mm
PT151015	15mm	10mm	15mm
PT222215	22mm	22mm	15mm
PT151510	15mm	15mm	10mm
PT151522	15mm	15mm	22mm
PT222210	22mm	22mm	10mm
PT152215	15mm	22mm	15mm



型号 Part No	快接 Tube O.D	螺纹 Thread
PIW0304	6mm	1/4
PIW0306	6mm	3/8
PIW0508	8mm	1/2
PIW1006	10mm	3/8
PIW1008	10mm	1/2
PIW1206	12mm	3/8
PIW1208	12mm	1/2
PIW1508	15mm	1/2
PIW1510	15mm	3/4
PIW2208	22mm	1/2
PIW2210	22mm	3/4



型号 Part No	快接 Tube O.D	快接 Tube O.D
PI0303	6mm	6mm
PI1010	10mm	10mm
PI1212	12mm	12mm
PI1515	15mm	15mm
PI2222	22mm	22mm
PI1510	15mm	10mm
PI2215	22mm	15mm



型号 Part No	快接 Tube O.D	螺纹 Thread
PLW0304	6mm	1/4
PLW0306	6mm	3/8
PLW0506	8mm	3/8
PLW1206	12mm	3/8
PLW1208	12mm	1/2



型号 Part No	快接 Tube O.D
PDS10	10mm
PDS15	15mm
PDS22	22mm



型号 Part No	快接 Tube O.D	螺纹 Thread
PIN0508	8mm	1/2
PIN1006	10mm	3/8
PIN1008	10mm	1/2
PIN1206	12mm	3/8
PIN1208	12mm	1/2
PIN1208H	12mm	1/2
PIN1508	15mm	1/2
PIN2210	22mm	3/4



型号 Part No	快接 Tube O.D	快接 Tube O.D
PL0303	6mm	6mm
PL1010	10mm	10mm
PL1212	12mm	12mm
PL1515	15mm	15mm
PL2222	22mm	22mm



型号 Part No	快接 Tube O.D	快接 Tube O.D	快接 Tube O.D
PY030303	6mm	6mm	6mm
PY121212	12mm	12mm	12mm





## 快速接头 QUICK FITTINGS SERIES 6/8/10/12/15/22mm



型号 Part No	快接 Tube O.D	插栓 Stem O.D
PLC1510	15mm	10mm
PLC2215	22mm	15mm
PLC1015	10mm	15mm
PLC1522	15mm	22mm



型号 Part No	插栓 Stem O.D	铜螺纹 Brass Thread O.D
PTLC1208	12mm	1/2



型号 Part No	快接 Tube O.D	插栓 Stem O.D
PLC1010	10mm	10mm
PLC1212	12mm	12mm
PLC1515	15mm	15mm
PLC2222	22mm	22mm



型号 Part No	快接 Tube O.D	铜螺纹 Brass Thread O.D
PTL1208	12mm	1/2
PTL1508	15mm	1/2



型号 Part No	快接 Tube O.D	编织插栓 Weave Stem O.D
PBZ1212	12mm	12mm
PBZ1512	15mm	12mm
PBZ2212	22mm	12mm



型号 Part No	快接 Tube O.D	铜螺纹 Brass Thread O.D
PTI1508	15mm	1/2
PTI1510	15mm	3/4
PTI2210	22mm	3/4



型号 Part No	快接 Tube O.D	备注 Remark
PBZ15	15mm	ø28.5mm



型号 Part No	快接 Tube O.D	快接 Tube O.D	备注 Remark
PB1212	12mm	12mm	ø26mm

## 快速接头 QUICK FITTINGS SERIES 20/25/32mm



型号 Part No	快接 Tube O.D	螺纹 Thread
PIW2008	20mm	1/2
PIW2010	20mm	3/4
PIW2508	25mm	1/2
PIW2510	25mm	3/4
PIW3210	32mm	3/4
PIW3212	32mm	1"



型号 Part No	快接 Tube O.D	螺纹 Thread
PLN1208	12mm	1/2
PLN2008	20mm	1/2
PLN2010	20mm	3/4
PLN2508	25mm	1/2
PLN2510	25mm	3/4
PLN3210	32mm	3/4
PLN3212	32mm	1"



型号 Part No	快接 Tube O.D	快接 Tube O.D
PL2025	20mm	25mm
PL2532	25mm	32mm



型号 Part No	快接 Tube O.D	快接 Tube O.D	快接 Tube O.D
PT202020	20mm	20mm	20mm
PT252525	25mm	25mm	25mm
PT323232	32mm	32mm	32mm



型号 Part No	快接 Tube OD	螺纹 Thread
PLW2008	20mm	1/2
PLW2010	20mm	3/4
PLW2508	25mm	1/2
PLW2510	25mm	3/4
PLW3210	32mm	3/4
PLW3212	32mm	1"



型号 Part No	快接 Tube O.D	快接 Tube O.D
PL2020	20mm	20mm
PL2525	25mm	25mm
PL3232	32mm	32mm



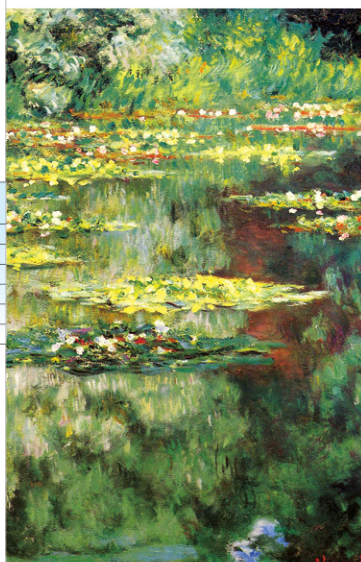
型号 Part No	快接 Tube OD	快接 Tube OD
PI2020	20mm	20mm
PI2525	25mm	25mm
PI3232	32mm	32mm



型号 Part No	快接 Tube O.D	快接 Tube O.D	快接 Tube O.D
PT202525	20mm	25mm	25mm
PT253232	25mm	32mm	32mm



型号 Part No	快接 Tube OD	螺纹 Thread
PIN2008	20mm	1/2
PIN2010	20mm	3/4
PIN2508	25mm	1/2
PIN2510	25mm	3/4
PIN3210	32mm	3/4
PIN3212	32mm	1"



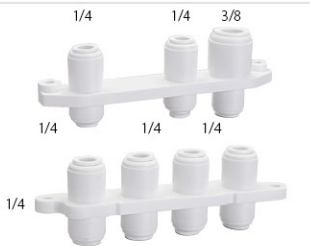
型号 Part No	快接 Tube OD	快接 Tube OD
PI2025	20mm	25mm
PI2532	25mm	32mm



型号 Part No	快接 Tube O.D	快接 Tube O.D	快接 Tube O.D
PT252025	25mm	20mm	25mm
PT322532	32mm	25mm	32mm



## 快速接头辅件部件 FITTINGS TUBE SUPPORT



型号 Part No	快接 Tube O.D	快接 Tube O.D	快接 Tube O.D	快接 Tube O.D
LPGB-1	1/4	1/4	1/4	3/8
LPGB-2	1/4	1/4	1/4	1/4



型号 Part No	快接 Tube O.D
PQGL04-1	1/4
PQGL06-1	3/8



型号 Part No	快接 Tube O.D	快接 Tube O.D
PK0404	1/4	1/4



型号 Part No	快接 Tube O.D	插栓 Stem O.D
PKC0606	3/8	3/8



型号 Part No	快接 Tube O.D	快接 Tube O.D	快接 Tube O.D	快接 Tube O.D
PX04040404	1/4	1/4	1/4	1/4
PX04040406	1/4	1/4	1/4	3/8
PX06060606	3/8	3/8	3/8	3/8



型号 Part No	快接 Tube O.D	插栓 Stem O.D
PLC0404-P	1/4	1/4



型号 Part No	快接 Tube O.D	插栓 Stem O.D
PBT04-10	1/4	1/4



型号 Part No	插栓 Stem O.D	插栓 Stem O.D
PUV-C	1/4	1/4



型号 Part No	插栓 Stem O.D	快接 Tube O.D	插栓 Stem O.D
PTEC040404	1/4	1/4	1/4



型号 Part No	快接 Tube O.D	插栓 Stem O.D
VSL06-1	3/8	ø13mm



型号 Part No	快接 Tube O.D	插栓 Stem O.D
PL1/4-11.5	1/4	ø11.5mm



型号 Part No	插栓 Stem O.D	插栓 Stem O.D
PLCC0404-1	1/4	1/4



型号 Part No	尺寸 Size
PUEJ04	1/4



型号 Part No	尺寸 Size
LID 04	1/4
LID 06	3/8



型号 Part No	尺寸 Size
PZJ04	1/4
PZJ06	3/8

## 快速接头辅件部件 FITTINGS TUBE SUPPORT



型号 Part No	插栓 Stem O.D	编织插栓 Weave Stem O.D
PBZ-C	1/4	10.35/7.35mm



型号 Part No	插栓 Stem O.D	插栓 Stem O.D
PICC0606-2	3/8	3/8



型号 Part No	快接 Tube O.D	编织插栓 Weave Stem O.D
PT-5		



型号 Part No	螺纹 Thread	编织插栓 Weave Stem O.D
PBC0612	3/8	12mm



型号 Part No	插栓 Stem O.D	编织插栓 Weave Stem O.D
PI-C12-8	12mm	8mm
PI-C12-10	12mm	10mm
PI-C12-12	12mm	12mm



型号 Part No	插栓 Stem O.D	编织插栓 Weave Stem O.D
PL-C12-10	12mm	10mm
PL-C12-12	12mm	12mm



型号 Part No	快接 Tube O.D	编织插栓 Weave Stem O.D
PBZ04-8	1/4	8mm
PBZ04-10	1/4	10mm



型号 Part No	尺寸 Size
PDT04-1	1/4
PDT06-1	3/8



型号 Part No	插栓 Stem O.D	插栓 Stem O.D
PICC1212	12mm	12mm
PICC0808	1/2	1/2
PICC0404	1/4	1/4



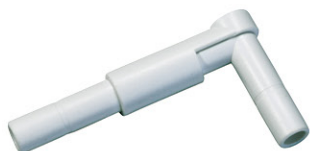
型号 Part No	插栓 Stem O.D	螺纹 Thread
PLWC1208	12mm	1/2



型号 Part No	快接 Tube O.D	活动插口 Mobile Socket
PL-C-J04	1/4	ø10mm/28mm
PL-C-H04	1/4	ø10mm/42mm



型号 Part No	尺寸 Size
PDT04	1/4
PDT06	3/8



型号 Part No	插栓 Stem O.D	插栓 Stem O.D
PLCC0404	1/4	1/4



型号 Part No	插栓 Stem O.D	螺纹 Thread
PI-WC04-10	1/4	M10x1



型号 Part No	快接 Tube O.D	快接 Tube O.D
PLJ0405	1/4	5/16



型号 Part No	快接 Tube O.D	编织插栓 Weave Stem O.D
PAH04-6	1/4	ø6mm



## 快速接头辅件部件 FITTINGS TUBE SUPPORT



型号 Part No	尺寸 Size
PGS1/4	1/4
PGS3/8	3/8
PGS15	15mm
PGS22	22mm
PGS20	20mm
PGS25	25mm
PGS32	32mm



型号 Part No	螺纹 Thread	螺纹 Thread
PIWW0404	1/4	1/4
PIWW0606	3/8	3/8
PIWW0808	1/2	1/2
PIWW1010	3/4	3/4
PIWW1212	1'	1'
PIWW0406	1/4	3/8
PIWW0608	3/8	1/2



型号 Part No	尺寸 Size
DCC1/4	1/4
DCC5/16	5/16
DCC3/8	3/8
DCC1/2	1/2
DCC6	6mm
DCC8	8mm
DCC10	10mm
DCC12	12mm
DCC15	15mm
DCC22	22mm
DCC20	20mm
DCC25	25mm
DCC32	32mm



型号 Part No	尺寸 Size
PAVC1/4	1/4
PAVC5/16	5/16
PAVC3/8	3/8
PAVC1/2	1/2
PAVC6	6mm
PAVC8	8mm
PAVC10	10mm
PAVC12	12mm
PAVC15	15mm
PAVC22	22mm
PAVC20	20mm
PAVC25	25mm
PAVC32	32mm



型号 Part No	快接 Tube O.D	活动插口 Mobile Socket
PLJH04	1/4	ø12mm



型号 Part No	快接 Tube O.D	活动插口 Mobile Socket
PZ04	1/4	ø14.5mm
PZ06	3/8	ø14.5mm



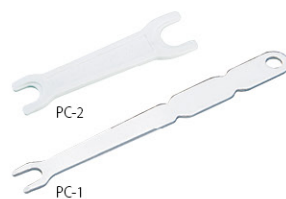
型号 Part No	快接 Tube O.D	活动插口 Mobile Socket
PLJH06	3/8	ø11mm



型号 Part No	切管最大直径 Maximum Diameter
PKC-1	12mm



型号 Part No	快接 Tube O.D	快接 Tube O.D
PTW0406	1/4	3/8



型号 Part No	适用管径 Suitable for gripping
PC-1	1/4
PC-2	1/4, 3/8



## 密封螺纹快速接头 QUICK CONNECTOR WITH SEAL IN THREAD



针对 R.O 反渗透机、超滤等净水装置在国内市场的成熟和普及，DCC 设计并制造了在螺纹处增加密封用橡胶圈的接头，省却了在装机过程中缠绕生料带的麻烦，减少了人工成本，提高效率。DCC 在设计、制造过程中改进了注塑模具的结构，提高模具的精度，特别是在螺纹方面。通过模具的改进和注塑机台的更新，使产品的精度提高到新的层次，奉献给大家。

DCC designed and made the quick connector with rubber seal in the thread for the popularity of sophisticated in the domestic market of RO reverse osmosis machine and ultra-filtration water purification devices, it save the trouble of winding the tape when assemble the machines, reduce the labor costs and improve the efficiency. DCC improve the structure of the injection mould and precision of mould, especially in the thread part in the design and manufacturing. Make the products to a new level of dedication to everybody through the improvement of mould and injection machine.



型号 Part No	螺纹 Thread	螺纹 Thread
PIWW0404-4	1/4	1/4



型号 Part No	快接 Tube O.D	螺纹 Thread
PLW0402-2	1/4	1/8
PLW0404-2	1/4	1/4
PLW0406-2	1/4	3/8
PLW0404-2(BSPP)	1/4	1/4



型号 Part No	快接 Tube OD	螺纹 Thread
PIW0402-2	1/4	1/8
PIW0404-2	1/4	1/4
PIW0404-2(BSPP)	1/4	1/4
PIW0406-2	1/4	3/8G



型号 Part No	螺纹 Thread	螺纹 Thread
PLW0404-4	1/4	1/4
PLW0406-4	1/4	3/8
PLW0606-4	3/8	3/8



型号 Part No	快接 Tube O.D	螺纹 Thread	快接 Tube O.D
PTE040404-2	1/4	1/4	1/4

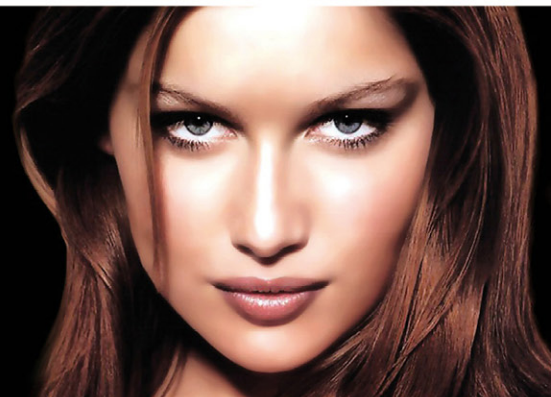


型号 Part No	螺纹 Thread	快接 Tube O.D	快接 Tube O.D
PTH040404-2	1/4	1/4	1/4





## 双通单向阀 / 逆止阀 TWO WAYS CHECK VALVE/CHECK VALVE



## TWO WAYS CHECK VALVE 双通单向阀

DCC 设计制造的双通单向阀具有良好的单向封闭效果，主材是有符合 NSF、FDA 品质的食品级 POM 制成。而且，DCC 在设计时采用了“一”字型结构和“L”型结构，充分考虑了用户在使用时因空间限制引起的不便。

内部使用的橡胶均为 EPDM 材质具有 NSF、FDA 认证。

**测试寿命：**水锤 0.6 Mpa 循环 + EPDM 封水膜片 5 万次

**进水耐压压力：**1.2 Mpa **进水推动压力：**≥0.015 Mpa

**逆向关闭压力：**≤0.015 Mpa

The two ways check valve DCC designed and made has a good effect of one-way closed, the main material is made from the food grade POM. And, DCC used the design of "straight" and "L" type structure, which gives full consideration to the user in the use of space constraints due to the inconvenience caused.

The material for the rubber used inside is EPDM which with NSF and FDA approval.

**Test life:** water hammer 0.6 Mpa water cycle + EPDM membrane seal with fifty thousand times.

**Inlet pressure stress:** 1.2Mpa **Inlet promote water pressure:** ≥0.015 Mpa

**Reverse shut off pressure:** ≤0.015 Mpa



型号 Part No	快接 Tube O.D	快接 Tube O.D
PLV 0404	1/4	1/4
PLV 0405	1/4	5/16



型号 Part No	快接 Tube O.D	快接 Tube O.D
PIV 0404	1/4	1/4
PIV 0606	3/8	3/8

www.water-adapter.com



型号 Part No	快接 Tube O.D	螺纹 Thread
PVLW0402	1/4	1/8
PVLW0404	1/4	1/4

## CHECK VALVE 逆止阀

**主材：**是有符合 NSF、FDA 品质的食品级 POM 制成，内部使用的橡胶均为 EPDM 材质具有 NSF、FDA 认证。

**测试寿命：**水锤 0.6 Mpa 循环 + EPDM 封水膜片 5 万次

**进水耐压压力：**1.2 Mpa

**进水推动压力：**≥0.015 Mpa

**逆向关闭压力：**≤0.015 Mpa

**Main material:** make of the food grade POM which with NSF and FDA quality.

The material for the rubber used inside is EPDM which with NSF and FDA approval.

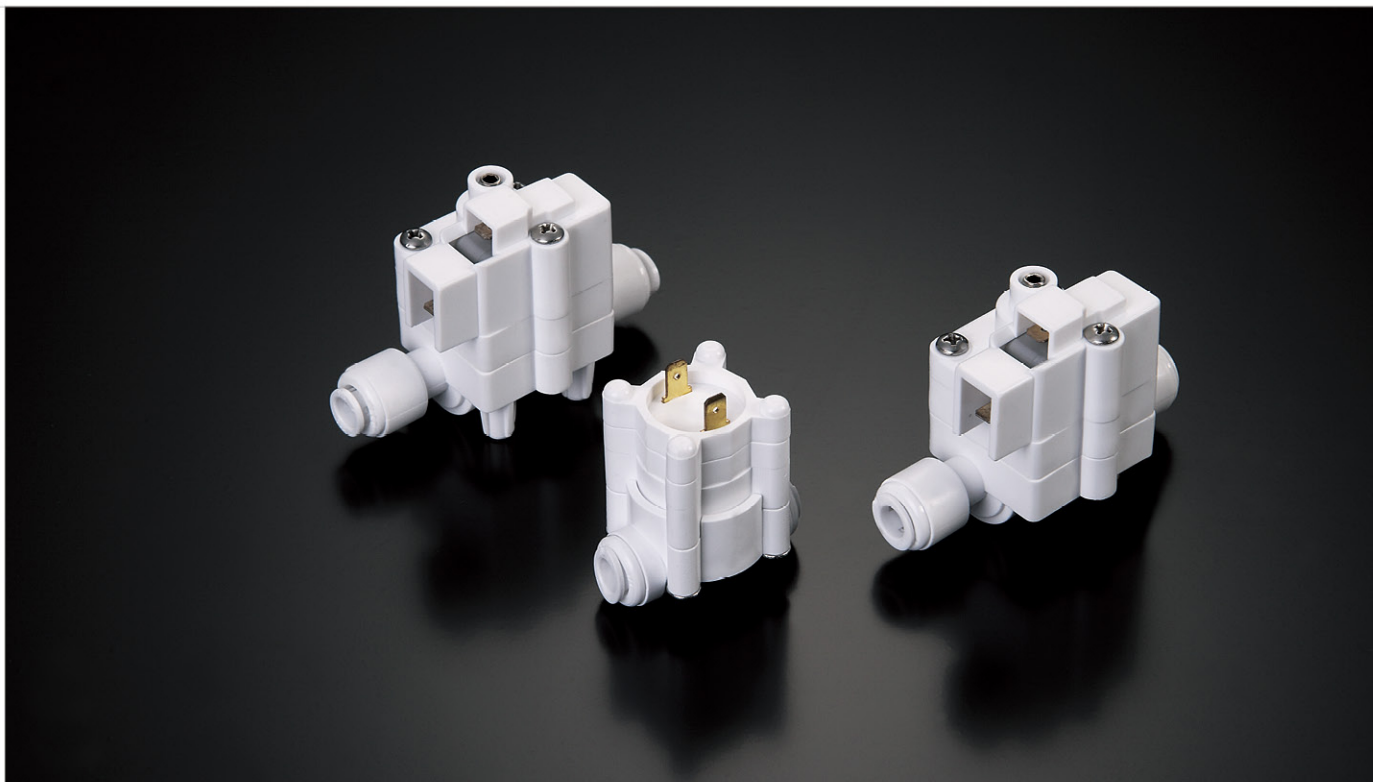
**Test life:** water hammer 0.6 Mpa water cycle + EPDM membrane seal with fifty thousand times.

**Inlet pressure stress:** 1.2Mpa

**Inlet promote water pressure:** ≥0.015 Mpa

**Reverse shut off pressure:** ≤0.015 Mpa

## 高压开关 HIGH PRESSURE SWITCH



型号 Part No	插栓 Stem OD
PG 04-5	1/4



型号 Part No	快接 Tube OD
PG0404-3	1/4

**设计原理和结构 (PG0404-3)**

DCC 高压开关通过压力传导的变化来控制开关内按钮开关的动作，控制电器部分的工作。

压力传导腔 + 封水膜片 + 金属膜片 + 按钮开关。

**主材：**是有符合 NSF、FDA 品质的食品级 POM 制成，金属螺钉为 SUS 304 材质。

**按钮开关：**银触点单组常闭型 / 直流 6A/4.8 插片。

**进水耐压压力：**2.5 Mpa。

**测试寿命：**水锤 1.2 Mpa 循环 + EPDM 封水膜片 10 万次。

**出厂调整参数：**高压断开值 0.23-0.30Mpa，低压闭合值 0.07-0.10Mpa。

**The design principle and structure(PG0404-3)**

DCC high pressure switch control the action of indise micro-switch and some electrical work with the changing of conduction pressure.

The cavity of pressure conduction +EPDM seal +pressure conduction bar + conduction bar adjustment + single normally open-type micro-switch.

**Main Material:** make of the food grade POM which with NSF and FDA quality.

**Metal Screw:** SUS 304

**Micro-switch:** sliver point single normally open-type/electic current 10A/4.8 insert

**Inlet Pressure Stress:** 2.5 Mpa

**Test Life:** water hammer 1.2Mpa water cycle + EPDM membrance seal with one hundred thousand times.

**Factoy Setting Data:**

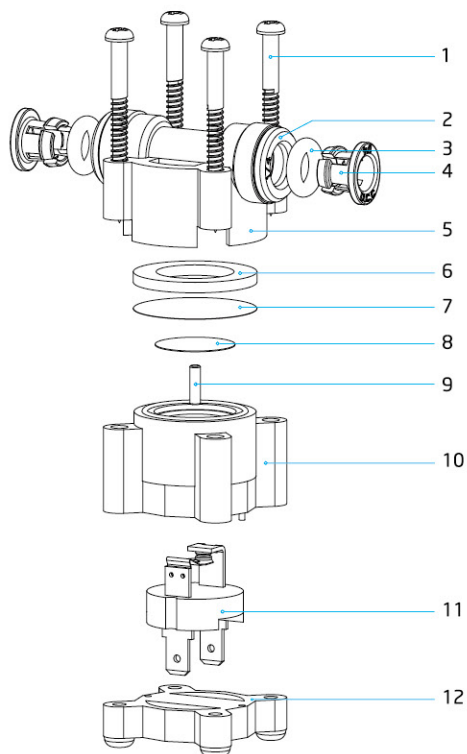
high pressure disconnect pressure : 0.23Mpa-0.30Mpa.

Low pressure connect pressure: 0.07Mpa-0.10Mpa



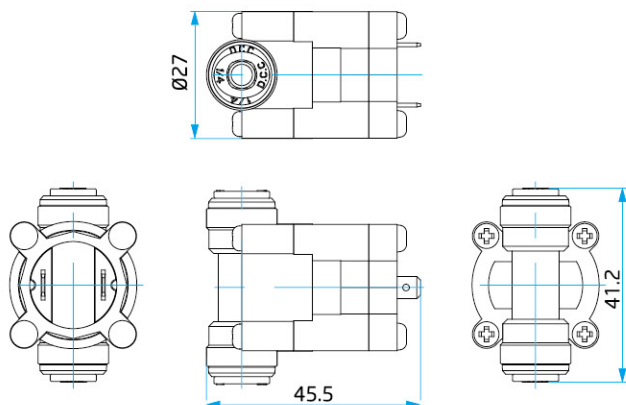
高压开关 HIGH PRESSURE SWITCH

产品结构图 Details Parts List



外形图 Dimensions(Unit mm)

●外形尺寸请咨询工厂。Dimension of PG0404-3 please consult DCC.

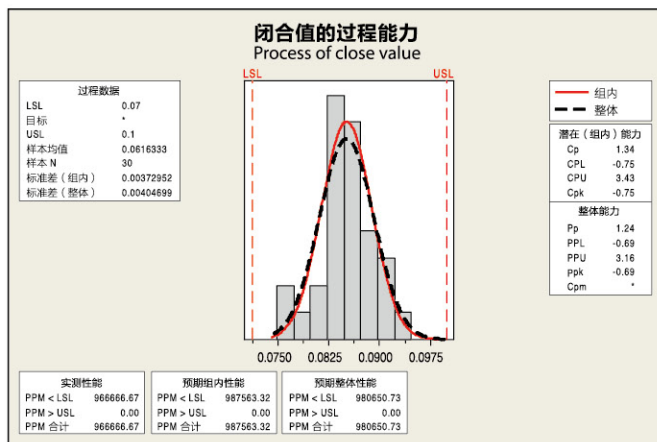
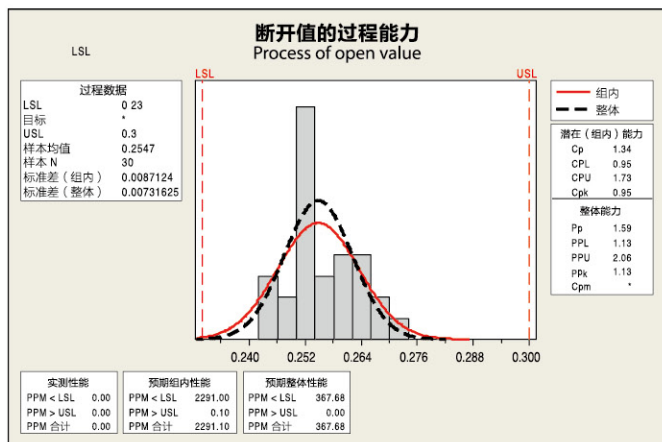


结构明细表 Parts List

标记 Mark	代号 Cold Number	名称 Designation	数量 QTY	材料 Material
12	PGF04-8	插片护罩 Insert Shield	1	POM
11	PGF04-7	插片座 Insert Base	1	PPT+CU
10	PGF04-6	插片外罩 Insert Outer Cover	1	POM
9	PGF04-5	绝缘棒 Pressure Conduction Bar	1	陶瓷
8	PGF04-4	跳跃膜片 Metal Diaphragm	1	SUS
7	PGF04-3	密封薄膜 Sealed Thin Diaphragm	1	PTFE
6	PGF04-2	橡胶垫片 EPDM Seal	1	EPDM
5	PGF04-1	快接盖 Quick Connector Cover	1	POM
4	DCC-1-1/4	1/4 内卡 1/4" Grabing	2	POM+SUS
3	DCC-2-1/4	1/4 内卡 O 型圈 1/4" O-RING	2	EPDM
2	DCC-3-1/4	1/4 焊接盖 1/4" Welded Cover	2	POM
1	PGE04-1	M3X35 自攻螺钉 M3X35 Tapping Screw	4	SUS

●图上尺寸为 PG0404-3, 仅供参考, 具体尺寸以实物为准。  
Dimension of item PG0404-3 present in the drawing is only for your reference. Specific size is based on the real product.

新款高压开关动作值测试结果 The result of high pressure switch's operating value



## 快接过滤器 QUICK CONNECTOR FILTER



主材：是有符合 NSF、FDA 品质的食品级 POM 制成，内部使用的橡胶均为 EPDM 材质具有 NSF、FDA 认证。

不锈钢丝网：SUS 304 120 目。

进水耐压压力：1.5Mpa。

测试寿命：水锤 1.2Mpa 循环 10 万次。

Main material: make of the food grade POM which with NSF and FDA quality. The material for the rubber used inside is EPDM which with NSF and FDA approval.

Stainless still net: SUS 304 120 mesh.

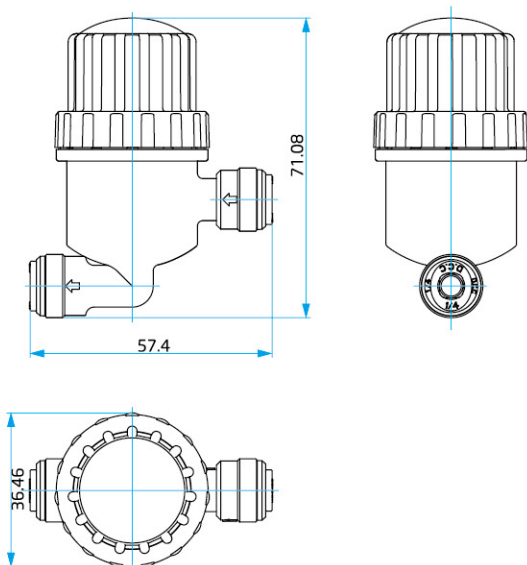
Inlet pressure stress: 1.5Mpa.

Test life: water hammer 1.2Mpa water cycle with one hundred thousand times.

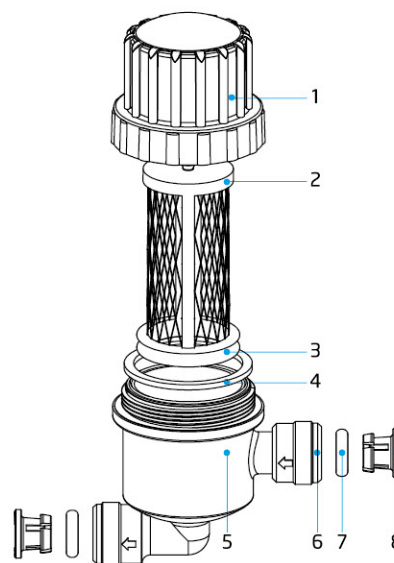
型号 Part No	快接 Tube O.D	过滤精度 Filtration accuracy
PGL0404	1/4	120 目

### 外形图 Dimensions(Unit mm)

●外形尺寸请咨询工厂。  
Dimension of PGL0404 please consult DCC.



### 产品结构图 Details Parts List



### 结构明细表 Parts List

标记 Mark	代号 Cold Number	名称 Designation	数量 QTY	材料 Material
8	DCC-1-1/4	1/4 内卡 1/4jack catch	2	POM+SUS
7	DCC-2-1/4	1/4 内卡 O 型圈 1/4 O-ring	2	EPDM
6	DCC-3-1/4	1/4 焊接盖 1/4welded bonne	2	POM
5	PGL04-1-5	底座 base	1	POM
4	PGL04-1-4	橡胶垫片 rubber gasket	1	硅胶
3	PGL04-1-3	滤网 O 型圈 strainer O-ring	1	硅胶
2	PGL04-1-2	滤网 Strainer	1	POM+SUS
1	PGL04-1-1	上盖 loam cake	1	POM

●圈上尺寸为 PGL0404，仅供参考，具体尺寸以实物为准。  
Dimension of item PGL0404 present in the drawing is only for your reference. Specific size is based on the real product.



废水流量控制阀 WASTEWATER FLOW CONTROL VALVE



**特斯拉阀**  
Tesla valve



型号 Part No	快接 Tube OD
PIF0404	1/4

(400CC、500CC、600CC、700CC、800CC、900CC、1000CC、1200CC、)



型号 Part No	快接 Tube OD
PVLX 04-1	1/4



型号 Part No	快接 Tube OD
PVLX 06-1	3/8

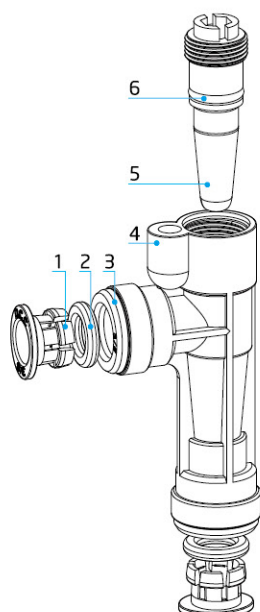
**设计原理和结构**

DCC 设计、制造的废水流量控制阀与传统的在外形和结构功能上有很大的区别。  
截流 + 微调 + 恒定的内部设计再加上 DCC 进口的高精度的塑料注射成型机的制造确保 DCC 品牌的废水流量控制阀在实际功能上完全达到设计时的功能。  
使用该产品在 R.O. 过滤系统上时：  
DCC 品牌的废水流量控制阀可以提供在 60PSI 压力下每分钟 0ml-1800ml 的流量（可调节）  
**主材：**是有符合 NSF、FDA 品质的食品级 POM 制成，内部使用的橡胶均为 EPDM 材质具有 NSF、FDA 认证。  
**进水耐压检测压力：**2.5 Mpa  
**产品规格：**0ml-1800ml 的流量（可调节）  
**产品误差：**±10 ml

**The design principle and structure**

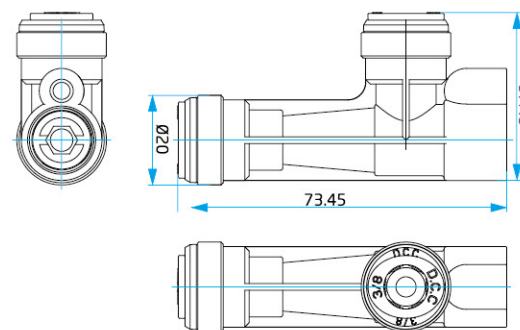
The wastewater flow control valve DCC designed and manufactured is quite different from the traditional shape and structure function.  
Closure+slight tuning+constant on the internal design coupled with DCC's manufacturing with imported high-precision plastic injection machine to ensure that the DCC brand of Wastewater flow control valve at actual function fully on the design function.  
When using this product into the R.O filtration system:  
DCC brand of Wastewater flow control valve could provide the flow of 0ml- 1800ml within 1 minute and 60 PSI.  
**Main material:** make of the food grade POM which with NSF and PDA quality. The material for the rubber used inside is EPDM which with NSF and FDA approval.  
**Inlet pressure stress:** 2.5Mpa  
**Product specifications:** 0-1800ml  
**Product error:** ±10ml

■ **产品结构图 Details Parts List**



■ **外形图 Dimensions(Unit mm)**

●外形尺寸请咨询工厂。Dimension of PVTX04-2 please consult DCC.



■ **结构明细表 Parts List**

标记 Mark	代号 Cold Number	名称 Designation	数量 QTY	材料 Material
6	PVT04-3	密封圈 SEAL	1	硅胶
5	PVT04-2	阀芯 SPOOL	1	POM
4	PVT04-1	主体 MAIN PART	1	POM
3	DCC-3-1/4	1/4 焊接盖 1/4 WELDING CAP	2	POM
2	DCC-2-1/4	1/4 内爪 O 型圈 1/4 O-RING	2	EPDM
1	DCC-1-1/4	1/4 内爪 1/4 CLAW.	2	POM+SUS

●圈上尺寸为 PVTX04-2，仅供参考，具体尺寸以实物为准。  
Dimension of item PVTX04-2 present in the drawing is only for your reference. Specific size is based on the real product.

双通球阀/ 外螺球阀/ 压力桶球阀 TWO WAYS BALL VALVE/ MALE THREAD BALL/ TANK VALVE VALVE



型号 Part No	螺纹 Thread	插栓 Stem O.D
PVWC0608	1/2	3/8

DCC 系列球阀, 是有符合 NSF、FDA 品质的食品级 POM 制成, 无金属部分和饮用水接触, 不生铜绿; 不会产生铅释出的担忧。内部使用的橡胶均为 EPDM 材质具有 NSF、FDA 认证。金属螺钉为 SUS 304 材质。

规格: 插入式快接连接

DCC range of ball valve is made of the food grade POM which with NSF and FDA approval, no contact between metal parts and drinking water, and without any verdigris, will not produce the release of lead concerns. The material for the rubber used inside is EPDM which with NSF and FDA approval. The material of metal screw is SUS 304 .

Specification: insert quick connection



型号 Part No	快接 Tube O.D	快接 Tube O.D
PV0404	1/4	1/4
PV0606	3/8	3/8
PV1212	12mm	12mm



型号 Part No	快接 Tube O.D	螺纹 Thread
PVN0408	1/4	1/2



型号 Part No	快接 Tube O.D	螺纹 Thread
PJW04/0808-2	1/4	1/2



型号 Part No	快接 Tube O.D	快接 Tube O.D
PVN0404	1/4	1/4
PVN0606	3/8	3/8
PVN0604	3/8	1/4



## 四面阀断水器 FOUR WAYS SHUT OFF VALVE



型号 Part No	快接 Tube OD	快接 Tube OD
PS 04	1/4	1/4

DCC 断水器利用二个不同通路的水产生的压力差来完成阻断水流的作用。当一个通路的水流产生的压力  $\geq$  另一个水流压力 50% 时，就会将进水端阻断。

主材：是有符合 NSF、FDA 品质的食品级 POM 制成。内部使用的橡胶均为 EPDM 材质具有 NSF、FDA 认证。金属螺钉为 SUS 304 材质。

测试寿命：水锤 12 Mpa 循环 + EPDM 封水膜片 10 万次

进水耐压检测压力：1.5 Mpa

使用该产品在 R.O. 过滤系统上时：

1 无需电力。2 成本低（同电磁阀比较）。3 结构简单、稳定、无需维护

使用最大进水压力：1.2 Mpa

接口：1/4 插入式快接连接。1/4 NPT 7/16 螺牙连接（含螺帽）。

DCC shut off valve used two different ways of water pressure difference to block the flow. When a channel of water pressure  $\geq$  50% of another water pressure then the inlet flow will be blocked.

Main material: make from the food grade POM which with NSF and FDA quality. The material for the rubber used inside is EPDM which with NSF and FDA approval.

The material of metal screw is SUS 304

Test life: water hammer 12 Mpa water cycle + EPDM membrane seal with one hundred thousand times.

Inlet pressure test stress: 1.5Mpa

When use this product in R.O filtration system:

1.without any electricity. 2.lower cost (compare with magnetic valve). 3.simple structure, stability and no need to maintain.

Maximum inlet water pressure: 1.2 Mpa

Connector: insert quick connection 1/4. 1/4 NPT 7/16 thread connector ( with screw nut)

## 减压阀 PRESSURE REDUCING VALVE



## 设计原理和结构

DCC 减压阀通过控制压力在传导腔的变化来达到恒定压力的设计目的。

主材：是有符合 NSF、FDA 品质的食品级 POM 制成，内部使用的橡胶均为 EPDM 材质具有 NSF、FDA 认证。

金属螺钉、金属压片为 SUS 304 材质

压力横定杆 SUS 304+EPDM

测试寿命：水锤 1.2 Mpa 循环 + EPDM 封水膜片 10 万次

进水耐压压力：2.5 Mpa

出厂调整：0.20 Mpa 或 0.30 Mpa $\pm$ 0.005 Mpa

## The design principle and structure

DCC pressure reducing valve is designed by controlling the pressure changes in the conduction cavity to get the steady pressure.

Main Material: make of the food grade POM which with NSF and FDA quality.

The material for the rubber used inside is EPDM which with NSF and FDA quality.

Metal Screw & Material Piece: SUS 304

Pressure Steady Bar: CU59+EPDM

Test Life: water hammer 1.2Mpa water cycle + EPDM membrane seal with one hundred thousand times.

Inlet Pressure Stress: 2.5 Mpa

Factory Setting Data: 0.25Mpa-0.30Mpa



型号 Part No	快接 Tube O.D
PDY 04-1	1/4
PDY 05-1	5/16
PDY 06-1	3/8



型号 Part No	插栓 Stem O.D
PDY 04-2	1/4



型号 Part No	快接 Tube O.D
PDY 04-5	1/4
PDY 06-5	3/8

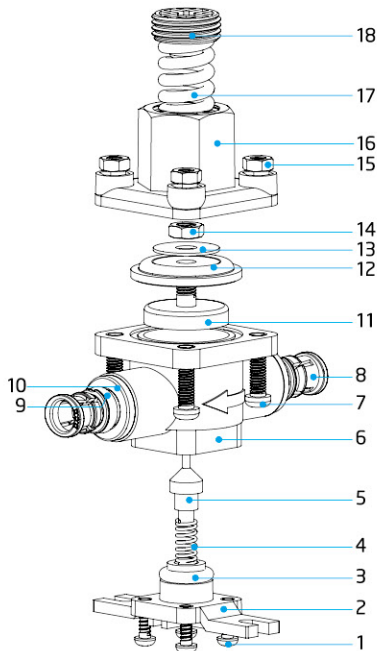


型号 Part No	螺纹 Thread
PDY 08-4	1/2



## 减压阀 PRESSURE REDUCING VALVE

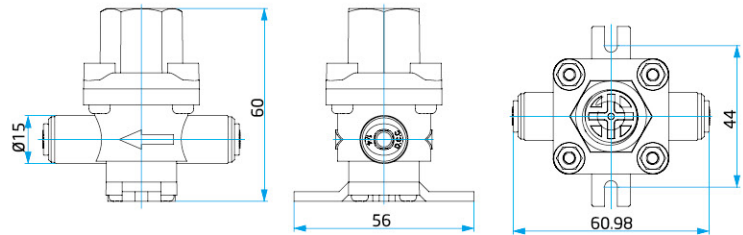
## 产品结构图 Details Parts List



涉水零部件: 2,3,4,5,6,9,11,12 Wetted Parts: 2,3,4,5,6,9,11,12  
 材料的规格及牌号: Material and trademark:  
 1.POM: Ticona Kp20 1.POM: TICONA KP20  
 2.EPDM: 过氧化物 2.EPDM: Peroxide  
 3.Cu: 59 铜 3.Cu: Copper 59  
 4.SUS: 304 4.SUS: 304

## 外形图 Dimensions(Unit mm)

●外形尺寸请咨询工厂。Dimension of PDY 04-1 please consult DCC.

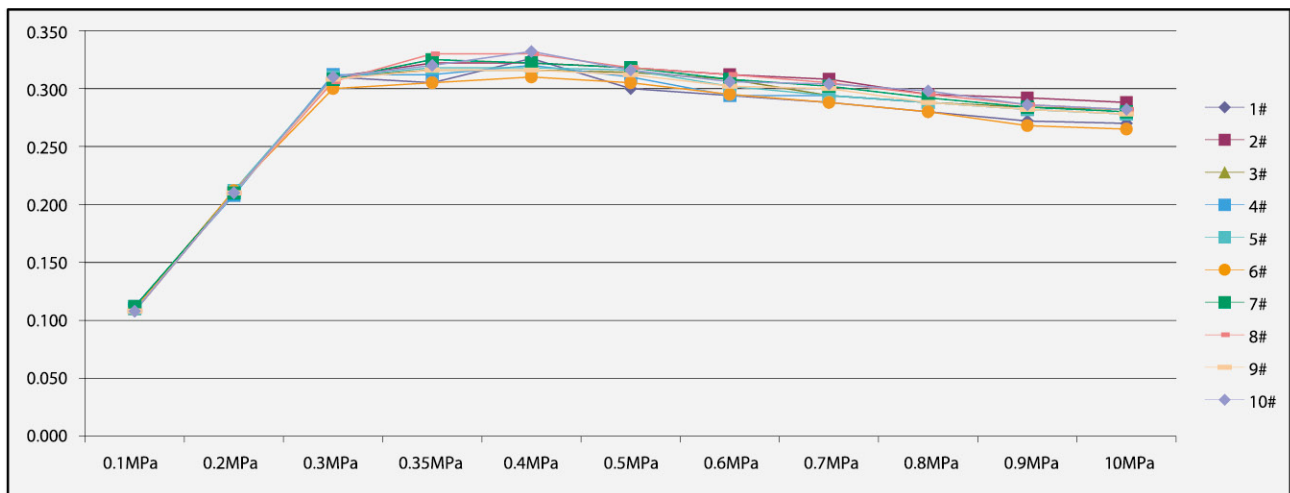


## 结构明细表 Parts List

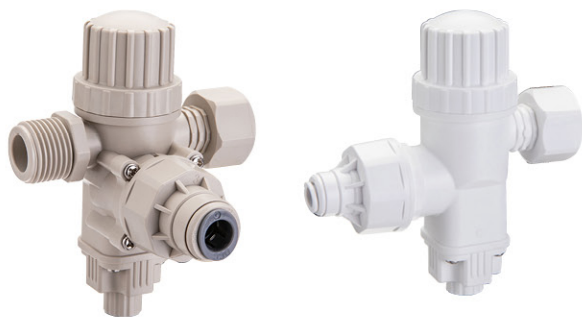
标记 Mark	代号 Cold number	名称 Designation	数量 QTY	材料 Material	涉水面积 Wetted area(mm <sup>2</sup> )
18	PDY04-1-5	上盖螺帽 Upper Cover Nut	1	POM	
17	PDE04-1-5	上盖弹簧 Upper Cover Spring	1	SUS	
16	PDY04-1-4	上盖 Upper Cover	1	POM	
15	PDE04-1-7	M4 螺帽 M4 Nut	4	SUS	
14	PDE04-1-6	M5 螺帽 M5 Nut	1	SUS	
13	PDE04-1-5	垫片 Seal	1	SUS	
12	PDR04-1-3	横隔膜 Plugger Packing	1	EPDM	614.46
11	PDY04-1-3	垫片固定螺栓 Fixing	1	POM	1167.56
10	DCC-3-1/4 1/4	1/4 焊接盖 Welded Cover	2	POM	
9	DCC-2-1/4 1/4	1/4 内卡 O 型圈 1/4"O-RING	2	EPDM	114.67x2
8	DCC-1-1/4 1/4	1/4 内卡 1/4" Garbing	2	POM+SUS	
7	PDE04-1-4	M4X14 螺栓 M4X14 Bolt	4	SUS	
6	PDY04-1-2	主体箱 Main Body	1	POM	3164.28
5	PDE04-1-3	阀芯 Pressure Steady Bar	1	EPDM	397.64
4	PDE04-1-2	底座弹簧 Bottom Spring	1	SUS	304.64
3	PDP04-1-1	O 型圈 O-RING	1	EPDM	229.34
2	PDY04-1-1	支撑座 Support Cover	1	POM	410.27
1	PDE04-1-1	M3X10B 自攻螺钉 M3X10B Tapping Screw	4	SUS	

●圈上尺寸为 PDY 04-1, 仅供参考, 具体尺寸以实物为准。  
 Dimension of item PDY 04-1 present in the drawing is only for your reference. Specific size is based on the real product.

## 减压阀性能测试数据 Testing data of pressure reducing valve's performance



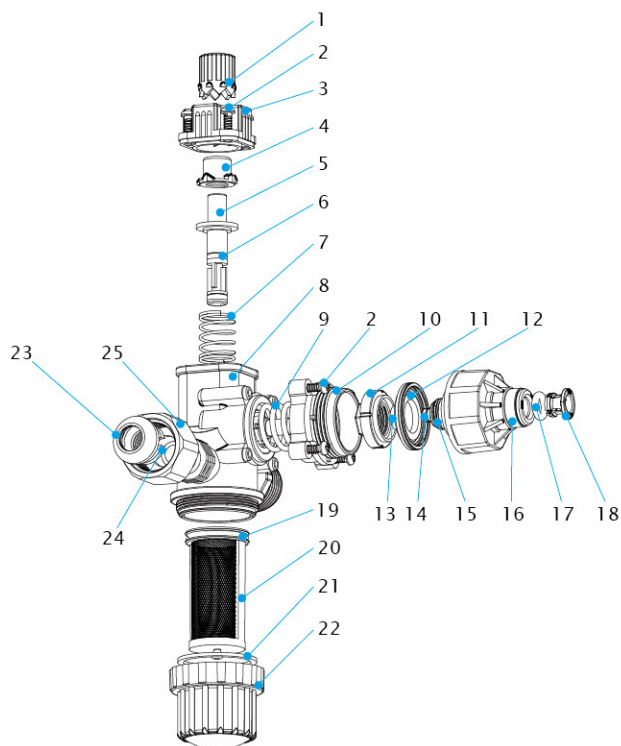
## 组合阀系列 COMBINATION VALVE SERIES



型号 Part No	快接 Tube O.D	螺纹 Thread
PJGDY04/0808	1/4	1/2
PJGDY06/0808	3/8	1/2

型号 Part No	快接 Tube O.D	螺纹 Thread
PJGY04/0808	1/4	1/2
PJGY06/0808	3/8	1/2

## 产品结构图 Details Parts List



- 图上尺寸仅供参考，具体尺寸以实物为准。  
Dimension of item PJGDY04/0808 present in the drawing is only for your reference, Specific size based on the real product.
- 插管管径  $6.35 \pm 0.05$   
Intubation Diameter  $6.35 \pm 0.05$
- 管件耐压要求：静压为 1.2Mpa 保持五分钟，无渗漏。  
Pressure resistance requirements for pipe fittings: maintain a static pressure of 1.2Mpa for five minutes without water leakage
- 管件水锤试验满足 0-1.05mpa 下，10 万次无渗漏。  
The water hammer test of pipe fittings meets the requirement of no leakage after one hundred thousand times at 0-1.05mpa

## 设计原理和结构

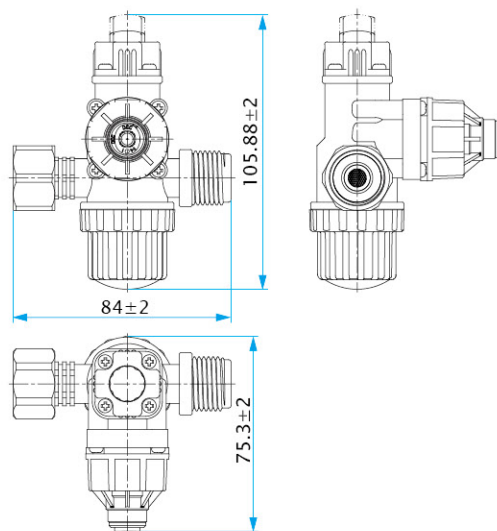
DCC 设计组合集成阀系列产品，集成了进水三通、减压阀、过滤器、开关功能，使产品结构更加稳定和可靠，安装空间更小更便携。

## The design principle and structure

DCC design combination integrated valve series products, It integrated three inlet valve、pressure reducing valve, quick connector filter、switch function. It makes the product structure more stable、reliable, and the installation space smaller and more convenient.

## 外形图 Dimensions(Unit mm)

● 外形尺寸请咨询工厂。Dimension of PJW04/0808 please consult DCC.



## 结构明细表 Parts List

标记 Mark	名称 Designation	数量 QTY	材料 Material
25	G1/2 螺母 G1/2 Nut	1	POM
24	卡簧 Circlip	1	POM
23	碗口密封垫片 Bowl Mouth Sealing Gasket	1	EPDM
22	滤网盖 Screen Cover	1	POM
21	滤网垫片 Filter Gasket	1	硅胶
20	滤网 Strainer	1	POM+SUS
19	滤网 O 型圈 Strainer O-ring	1	硅胶
18	O4 爪子 O4 Jack Catch	1	POM+SUS
17	O4O 型圈 O4 O-ring	1	EPDM
16	减压阀盖 Pressure Reducing Valve Cover	1	POM
15	横膈膜螺丝 Diaphragm Screw	1	POM
14	密封垫片 Sealing Gasket	1	EPDM
13	O 型圈 O-Ring	1	EPDM
12	横膈膜 Plunger Packing	1	EPDM
11	横膈膜螺母 Diaphragm Nut	1	POM
10	本体配件 Body Accessories	1	POM
9	减压弹簧 Pressure Reducing Spring	1	SUS
8	本体 Main Body	1	POM
7	按钮弹簧 Button Spring	1	SUS
6	密封圈 O-Ring	2	EPDM
5	阀芯 Spool	1	POM
4	转芯 Rotating Core	1	EPDM
3	按钮盖 Button Cover	1	POM
2	B 型圆头自攻螺丝 B Type Tapping Screw	8	SUS
1	按钮 Button	1	POM



快速三通进水阀 QUICK CONNECTOR THREE INLET VALVE



**设计原理和结构**

传统的进水三通和控制阀是单个零件组合的，产品体积较大，安装不方便。DCC 设计的进水三通阀是一个独立的部件。而且，内螺纹是可活动的，对于安装是非常方便的。

主材：是有符合 NSF、FDA 品质的食品级 POM 制成，内部使用的橡胶均为 EPDM 材质具有 NSF、FDA 认证。

金属螺钉：SUS 304 材质。

进水耐压压力：2.5Mpa

测试寿命：水锤 1.2Mpa 循环 10 万次

**The design principle and structure**

The traditional three inlet and valve are made of single component, the volume is very big and the installation is inconvenient.

The three inlet valve designed by DCC is an independent part, besides the female thread could be moveable, which is quite convenient for installation.

Main material: make of the food grade POM which with NSF and FDA quality. The material for the rubber used inside is EPDM which with NSF and FDA approval.

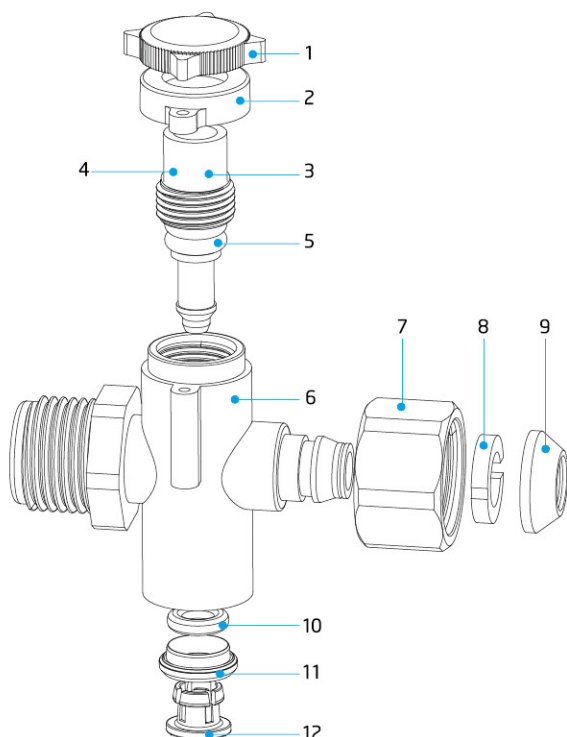
Metal screw: SUS 304

Inlet pressure stress: 2.5Mpa

Test life: water hammer 1.2 Mpa water cycle with one hundred thousand times.

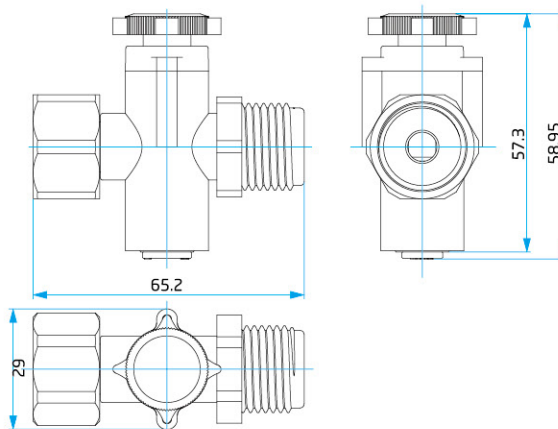
型号 Part No	快接 Tube O.D	内螺纹 Female thread	外螺纹 Male thread
PJW04/0808	1/4	1/2	1/2

**产品结构图 Details Parts List**



**外形图 Dimensions(Unit mm)**

●外形尺寸请咨询工厂。Dimension of PJW04/0808 please consult DCC.



**结构明细表 Parts List**

标记 Mark	代号 Cold Number	名称 Designation	数量 QTY	材料 Material
12	DCC-1-1/4	1/4 内爪 1/4grabing	1	POM+SUS
11	DCC-3-1/4	1/4 焊接盖 1/4welded bonnet	1	POM
10	DCC-2-1/4	1/4 橡胶圈 1/4rubber ring	1	EPDM
9	DCC-2-1/4	橡胶垫片 rubber gasket	1	EPDM
8	DCC-2-1/4	螺母卡簧 nut circlip	1	POM
7	DCC-2-1/4	螺母 nut	1	POM
6	DCC-2-1/4	主体 subjec	1	POM
5	DCC-2-1/4	O 型圈 -20-ring-2	2	EPDM
4	DCC-2-1/4	O 型圈 -10-ring-1	1	EPDM
3	DCC-2-1/4	阀芯 valve element	1	PP
2	DCC-2-1/4	阀芯盖 the valve core cover	1	POM
1	DCC-2-1/4	旋钮 rotary knob	1	PP

●圈上尺寸为 PJW04/0808，仅供参考，具体尺寸以实物为准。  
Dimension of item PJW04/0808 present in the drawing is only for your reference. Specific size is based on the real product.

## 低压开关/ PE水管 LOW PRESSURE SWITCH/ PE TUBE



型号 Part No	快接 Tube OD
PD 04-2	1/4

### LOW PRESSURE SWITCH 低压开关

#### 设计原理和结构

DCC 低压开关通过传导的压力大小来控制开关内微动开关的动作，控制电器部分的工作。

压力传导腔 + EPDM 封水膜片 + 压力传导杆 + 单组常开型微动开关

**主材:** 是有符合 NSF、FDA 品质的食品级 POM 制成

内部使用的橡胶均为 EPDM 材质具有 NSF、FDA 认证。

金属螺钉为 SUS 304 材质。

**微动开关:** 银触点单组常开型 / 直流 6A/4.8 插片

**导通压力:**  $\geq 0.02$  Mpa (常规)

**进水耐压压力:** 2.5Mpa

**测试寿命:** 水锤 1.2 Mpa 循环 + EPDM 封水膜片 10 万次

#### The design principle and structure

DCC low pressure switch control the action of inside micro-switch and some electrical work with the conduction pressure.

The cavity of pressure conduction+EPDM seal + pressure conduction bar + single normally open type micro-switch

**Main material:** make of the food grade POM which with NSF and FDA quality.

The material for the rubber used inside is EPDM which with NSF and FDA approval.

**Metal screw:** SUS 304

**Micro-switch:** silver point single normally open-type/electric current 6A/4.8 insert

**Conduction pressure:**  $\geq 0.02$  Mpa(conventional)

**Inlet pressure stress:** 2.5Mpa

**Test life:** water hammer 1.2 Mpa water cycle + EPDM membrane seal with one hundred thousand times.



型号 Part No	尺寸 Size
PETW1/4	1/4
PETW3/8	3/8

DCC 为所有的客户提供价廉质优的 PE 水管。DCC 承诺 100% 使用全新的有食品级认证的原料进行生产，并且保证足米。从目前的品质看，DCC 生产的水管完全和国外进口的水管相媲美，在某些指标上甚至超越。在中国，DCC 生产的 PE 水管是通过疾控中心检测的。

DCC provide the PE tube with better price and quality to all of the customers. DCC promise to use 100% of new raw material that with food approval, and promise to provide enough meters. See from the current quality, the tube that DCC produced could compare with the tube that import from abroad absolutely, and even better than them in the some points. Here in China, the tube DCC produced had approved by Center for Disease Control and Prevention.



## 说明 NOTES

**DCC 快速接头螺纹标准是按 NPTF 标准来制造 ( 如需特殊螺纹请和 DCC 特别提出和说明 )**  
**The thread Standard of DCC quick fittings is according to the standard of NPTF(please advise to DCC,if you need the special thread)**

### ■TAPER THREAD 锥形螺纹

● 美国标准的锥管螺纹 (NPTF) NPTF : National Pipe Taper Fuel Thread

尺寸代号 Nominal Size	度数 Angle	螺距 Pitch of Thread(P)	中径 Pitch Diam. (d2)	基准距离 Effective Thread External	装配余量 Nominal Complete External Thread
1/8-27 NPTF	60	0.941	9.489	6.924	4.102
1/4-18 NPTF		1.411	12.487	10.02	5.786
3/8-18 NPTF		1.411	15.926	10.33	6.096
1/2-14 NPTF		1.814	19.772	13.571	8.128
3/4-14 NPTF		1.814	25.117	14.504	8.611

### ■FEATURES OF GENERAL MATERIAL STANDARDS普通材料的特征和材料标准

POM: 同样也叫乙缩醛, 耐用, 有较好的抗蠕变和抗疲劳能力, 它能很有效的抵抗大范围的有机和无机化学物质, 不建议用于强酸或反复暴露于强氧化剂里。

POM: Also known as Acetal. Highly durable and very resistant to fatigue and creep. It has high resistance to a wide range of organic & inorganic chemicals and detergents. Not recommended for use with strong acids or repeated exposure to strong oxidizers.

### ■PHYSICAL AND CHEMICAL FEATURES物理和化学特征

- 物理状态: 固体 / 颗粒状 ● 熔点: 165 摄氏度 ● 气压: < 0.001mm Hg ● 物理力学特征: 1.38-1.42
- 水中溶解度: 可以忽略不计 < 0.1% ● 挥发性: < 1.0% ● 不相容性: 强酸和氧化物不要与 POM 等类似的材料混合使用
- 聚合材料: 不发生聚合作用。
- The physical states: solid / small spots ● Melting point: 165°C ● Air pressure: < 0.001 mm Hg The features of the physical Mechanics: 1.38-1.42
- The solubility in the water: it can ignore to calculate < 0.1% ● The volatility: < 1.0%
- Incompatibility: strong acid and oxide, it can't be mixing used with the similar material of the POM ● The polymerization: have no polymerization

材质 Quality Material	接头颜色 Fittings color	O 型圈	爪子 Grab ring
POM ( 共聚甲醛 ) (Polyacetal Oxide Material)	白, 黑 white, black	三元乙丙橡胶 NBR (EPDM)	不锈钢 304 Stainless steel 304

### ■FEATURES OF THE FITTINGS接头特征

**适用于食品:** DCC 接头是用通过 BS、WRAS、FDA、NSF 等认证的无毒无害的材料制造。DCC 接头时用作纯水机, 水, 食品和饮料系列的部件。

**可使用性:** DCC 接头使用起来更快, 更方便, 更安全, 公认的 ISO9001 体系提供和包括了很高的质量标准。

**设计:** 在实践的基础上而得出的独有的内爪的设计, 被全世界的所有的客户所赞同。

**应用:** 可以非常容易地运用于惰性气体、液体和真空, 可以再度使用。同时, 由于我们对于每种型号可以提供很多尺寸因此, 产品的应用范围很广泛。

**颜色:** 白色和黑色等

Available for food: DCC is made of non toxic, harmless materials that are approved by BS, WIAS, FDA, NSF, DCC products are used as part of the water purifications, water, foods and beverage systems.

Workability: DCC is available in a quicker, more convenient and safer manner This ISO9001 acknowledged system offers and maintains a very high quality standard. Defects are easily detectable and maintenance is easy with its easy dismantling for access.

Design: The unique Collets design, based on the practicalism, is being applauded by the many customers from all over the world.

Application: It can be readily used for inert gas, liquids and vacuum, it is proper for plastic and is repeatedly reusable. Also, as we offer various sizes for each model, the products have a broad scope of application.

Color: White and black.

## 说明 NOTES

### ■WORKING PRESSURE AND TEMPERATURE OF FITTINGS接头的工作压力和温度

温度 Temperature	尺寸 Size									
	1/4 6mm	5/16 8mm	3/8 10mm	1/2 12mm	15mm	20mm	22mm	25mm	32mm	
-20°C (-4°F)	230psi					170psi				
1°C (34°F)	230psi					170psi				
20°C (68°F)	230psi					170psi				
65 (149°F)	150psi					170psi				

### ■Outer Diameter Tolerance Limit of Tube Available in DCC 可用于DCC接头的管子外径公差范围

尺寸 Size		公差 Tolerance
1/4"	5/16	±0.002" (±0.05mm)
3/8"	1/2	
10mm	6mm	
12mm	8mm	
15mm		
20mm		
22mm		
25mm		
32mm		

### ■PERMISSIBLE TORQUE允许的扭矩

螺纹 Thread		扭矩 Torque	1/4 5/16 3/8 1/2	6mm,8mm,10mm,12mm,15mm	20mm,22mm,25mm,32mm
塑料 Plastic	最大扭矩 Maximum Torque (N.m)		1.5	3.0	4.0

以上数值显示了 DCC 接头塑料螺纹的最大扭矩（可能表格汇总略有差异）

The above value indicate maximum torque for ptastic threaded DCC (There may be slight difference in the field.)



01

02

03



## 条款条件/ 安装特殊说明 TERMS AND CONDITIONS/ INSTALL SPECIAL INSTRUCTION



## ■TERMS AND CONDITIONS条款条件

请阅读理解并遵循所有的说明，警告和预防，如未遵循所有的说明，警告和预防可能会导致肉体伤害和财产损失。

### △ 警告和预防

- ① 接头不建议用于除了水的其他液体，用于食品或饮料产品，并有可能使接头与其他化学产品一起使用的情况请参照化学性能数据或联系 DCC 以获取建议。
- ② 不要拆卸和修改个体的产品，这有可能导致产品故障、漏水、失灵。
- ③ 不要过度的在接头上旋转、扭曲、弯曲、震动、而施加压力，这有可能损坏接头并导致产品故障、漏水或失灵。
- ④ 不要使接头用于周围温度或流动温度大于 65℃，作为工作温度的环境，这有可能导致产品故障、漏水或失灵。
- ⑤ 不要使用管子胶水或其他的螺纹密封液体，只可用特氟伦带用于螺纹密封。
- ⑥ 除非是要把管子从接头里分离出来，否则不要把内抓推向主体，DCC 的锁卡的作用是避免连接的不经意的脱离。
- ⑦ 连接 DCC 产品和管子或连接其他不是 DCC 产品的成分，其性能是不被保证的，执行任何检查和测试有必要验证其可被接受的功能和作用。
- ⑧ 当执行管子连接前，须证实管子尾端已被垂直的切割并且在距离管子尾端和橡胶圈接触处（例如 1/4 水管要求在 30MM 处）没有任何刮擦的痕迹。
- ⑨ DCC 保留每次由于质量改进需求和每个市场需求而修改产品的权利，实际的产品可能与图片所示有所不同。

Please read, understand, and follow all instructions, precautions, and warnings prior to using DCC products on pressurized systems. Failure to follow all instructions, precautions, and warnings may result in bodily harm or property damage.

### △ Warnings and Precautions

- ① Fittings are not recommended for use with liquids other than water, and food or beverage products, where fittings may be used with other chemicals, refer to published chemical compatibility data, or contact DCC for advice.
- ② Do not disassemble or modify the individual product, this may cause a product malfunction, leak, or failure and voids the product warranty.
- ③ Do not over-stress the fitting by rotation, twist, bending, shock, fatigue, or other excess force, This may damage the fitting and cause malfunction, leak, or failure and voids the product warranty.
- ④ Do not use the product where ambient temperature or fluid temperature may exceed 65 °C as a working temperature. This may damage the fitting and cause malfunction, leak, or failure.
- ⑤ Do not use pipe dope or other liquid thread sealers, Use only Teflon(r) tape to seal threaded connections.
- ⑥ Never press collets toward the body unless attempting to separate tubing from a fitting in an unpressurized line. The use of the DCC Locking Clip is advised to restrict inadvertent disassembly of connections.
- ⑦ Connecting DCC products to tubing or connecting elements other than DCC products is not warranted for performance. Always perform any checks and testing necessary to verify acceptable function.
- ⑧ Before making any tube connection, verify that the end of the tube has been cut squarely and there are no scratches on the tube OD within 30mm of the end.
- ⑨ DCC reserves the right to modify the product from time-to-time as required for quality improvement and per market requirements, Actual product may differ from picture shown.

## ■INSTALL SPECIAL INSTRUCTION安装特殊说明

- 要插入的水管一定要垂直切平，如果有斜度，就可能造成密封不严，以至漏水。
- 要插入的管壁要光滑，不能有轴向划痕，如果有划痕，要将有划痕的地方垂直切去。
- 当使用金属管的时候，使管尾端平滑不尖锐以避免一些潜在的割伤 O-RING 或其他对 O-RING 的损伤。
- 当执行管子连接时，偶尔会发生管子被夹紧那是因为管子刚穿过 O-RING，但是还尚未完全密封，像这样的情况，需再次深深地推入水管至完全连接，如不完全推到底的话会引起漏水。
- 当拧螺纹接头时不可过度使接头转矩过大，这有可能会损坏接头并引起漏水或其他不良现象。
- 接好快速龙头和水管后，一定要安上快速卡环。
- 管子连接安装后，用中等力度拉水管以检查接头是否抓牢水管。
- 不要过分振动、旋转、牵拉、扭曲、弯曲和超负荷敲打快速接头，这样可能造成快速接头损坏，夹头可能脱位、变形。
- 在拆卸管子前，通常要证实压力已被撤消。
- 当拆卸管子时，通常要把内抓往主体按压然后再拉管子，如果用了锁卡，在使连接分离前去掉锁卡。
- 除了水、食品、饮料可通过此接头，其他一些化学液体通过时要慎重，在通过前请将其化学成分提前告诉我们。
- the tube which need to be inserted should be cut vertically, it will lead to loose in seal even leakage if there is a pitch.
- The surface of the tube should be smooth, it shouldn't be with scratch. If there is a scratch then should be cut the tube with scratch vertically.
- When using metal tubing, make sure the tube end is smooth to avoid potential cutting or any other damage to the o-ring.
- When making a tube connection, occasionally a gripping of the tube may occur just as the tube begins to pass through the o-ring, although the seal is not yet made, push the tube deeply once more to complete assembly of the connection in this case. Failure to completely seat the tube into the fittings may cause the leakage.
- When tightening threaded fittings, use care not to over-torque the fitting as this may damage the fitting and cause a leakage or other failure.
- Must put on the clips after finishing the connection between quick spigot and tube.
- After assembling a tube connection, tug with moderate force to check for correct gripping of the tube.
- Don't over-stress the fitting by rotation, twist, bending, shock, fatigue or other excess force, this may damage the fitting, collect will may dislocation and distortion.
- Before disassembling tube connections, always make sure that pressure has been removed from the system.
- When disassembling tube connections, always press the collet evenly toward the body and then pull the tube. If a clip is used, remove the clip before attempting to separate a tube connection.
- Be carefully if the chemical liquids are to be used except water, foods and beverage, please tell the chemical components to us before using it.



**宁波市鼎臣环保科技有限公司**

Ningbo Dingchen Environmental Protection Technology Co., Ltd

地址：中国宁波慈溪市坎墩工业 B 区槐树路 388 号

Add: Huaishu Road, Kandun Industrial Area B CixiCity Zhejiang China. 315303

Tel: +86-574-63901255 63901266 63901277

Fax: +86-574-63901299

E-Mail: [cn\\_dcc@163.com](mailto:cn_dcc@163.com)

<http://www.cn-dcc.com>